

MAX80/100

Quick Disconnect

Field Repair Bulletin
801500 - Rev 2



MAX80/100

Quick Disconnect

Field Repair Bulletin
IM-150
(P/N 801500)

Revision 2 January 1993

Hypertherm, Inc.
P.O. Box 5010
Hanover, New Hampshire 03755-5010
(603) 643-3441

© Hypertherm, Inc., 1993
All Rights Reserved

Hypertherm Offices Worldwide:

Hypertherm, Inc.

Etna Road, P.O. Box 5010
Hanover, NH 03755 USA
Tel.: (603) 643-3441 (Main Office)
Fax: (603) 643-5352 (All Departments)
Tel.: (800) 643-9878 (Technical Service – toll-free in USA and Canada)
Tel.: (800) 737-2978 (Customer Service – toll-free in USA and Canada)
email: info@hypertherm.com (General Information)
email: service@hypertherm.com (Technical/Customer Services)

Hypertherm Plasmatechnik GmbH

Technologiepark Hanau
Rodenbacher Chaussee 6
D-63457 Hanau-Wolfgang, Germany
Tel.: 49 6181 58 2100
Fax: 49 6181 58 2134

Hypertherm (S) Pte Ltd

No. 19 Kaki Bukit Road 2
K.B. Warehouse Complex
Singapore 417847
Tel.: 65 841 2489
Fax: 65 841 2490

Hypertherm UK Ltd

9 Berkeley Court, Manor Park
Runcorn, Cheshire, England WA7 1TQ
Tel.: 44 1928 579 074
Fax: 44 1928 579 604

France

15 Impasse des Rosiers
95610 Eragny, France
Tel.: 33 1 30 37 15 28
Fax: 33 1 30 37 15 79

Hypertherm S.r.L.

Via Torino 2
20123 Milan, Italy
Tel.: 39 02 725 46 312 (Customer Service)
Tel.: 39 02 725 46 314 (Technical Service)
Fax: 39 02 725 46 400 (All Departments)

Hypertherm B.V.

Burg, Haverkampstraat 13
7091 CN Dinxperlo, The Netherlands
Tel.: 31 315 655 866 (Customer Service)
Fax: 31 315 655 886

European Technical Support Organization (ETSO)

Edisonstraat 12
3281 NC Numansdorp, The Netherlands
Tel.: 00 800 4973 7843 (00 800 Hypertherm) – (toll-free Technical Service)
Tel.: 31 186 659494
Fax: 31 186 659495

Japan

Shinjuku Park Tower
30th Floor
3-7-1 Nishi-Shinjuku
Shinjuku-ku, Tokyo
163-1030, Japan
Tel.: 81 03 5326 3142
Fax: 81 03 5326 3001

Purpose

The MAX80/100 quick disconnect field repair bulletin provides the procedure to remove and replace the existing knob and caps when required. Refer to the MAX80/100 QDC Field Repair Kit contents below.

IMPORTANT

Do not try to use old style caps, plug and knob with the new style caps, plug and knob. The old and new styles cannot be mixed.

Customer Required Tools

2 Phillips head screwdriver

MAX80/100 QDC Field Repair Kit # 028505

- (1) Knob, # 004543
- (1) Plug, # 004549
- (2) Cap (2), # 004544
- (1) Field Repair Bulletin, # 801500

Procedure

To remove the old style knob and caps on the torch lead and replace with the new style knob and caps, perform the following procedure.

1. Remove the four (4) screws holding the cap halves together. Discard the caps. Save the four (4) screws for use in step 6.
2. Remove the plug and knob from the cap halves. Discard the knob.
3. Holding the bottom cap half (top half is marked TOP), place the knob and plug into their respective slots at bottom of cap (see Figure 1). **Ensure the small lead (pilot arc) on the plug is on top and the key tab is on the right.**
4. Rotate the plug until the slot at the bottom mates with key on the bottom of the cap.
5. Position the first rib of the boot between the lip and screw holes of the cap.
6. Align top cap half with the bottom cap half and secure with four (4) screws .
7. With the TOP marking facing up and the key tab on the right, align the torch lead quick disconnect with receptacle on the power supply.
8. Tighten knob until snug. **Do not overtighten. There should not be any threads showing between the knob and receptacle.**

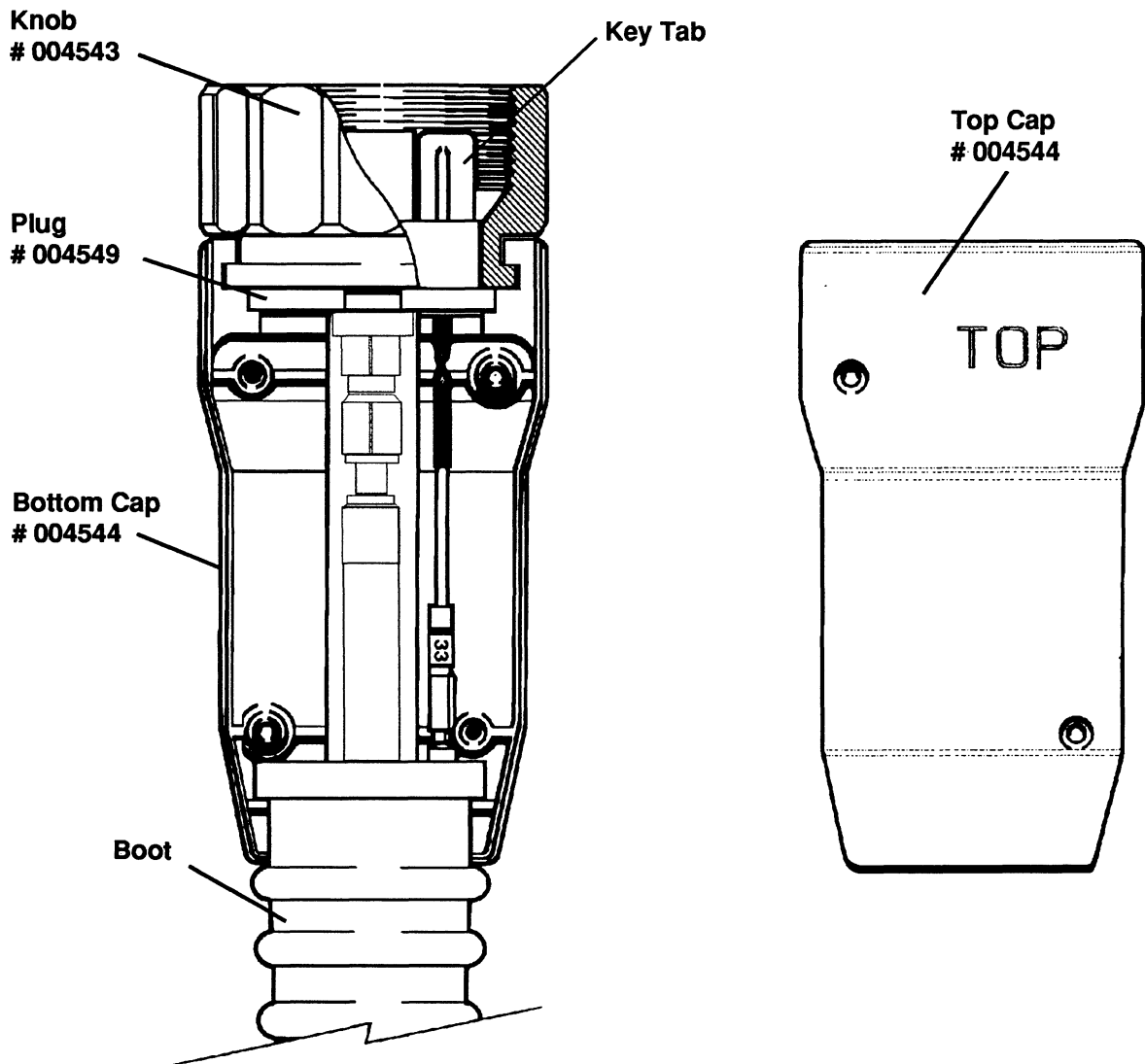


Figure1 MAX80/100 Plug, Knob and Cap Installation