

# **HT2000<sup>®</sup>**

## ***Off-Valve Upgrade***

***Field Service Bulletin  
802130 - Revision 0***



**HT2000®**

**Off-Valve Upgrade**

**Field Service Bulletin**

**IM-213**

**(P/N 802130)**

**Revision 0 August, 1995**

**HYPERTHERM, Inc.  
P.O. Box 5010  
Hanover, New Hampshire 03755-5010  
Tel.: (603) 643-3441  
Fax: (603) 643-5352**

**© Copyright 1995 Hypertherm, Inc.  
All Rights Reserved**

**HYPERTHERM and HT are trademarks of Hypertherm, Inc. and may be  
registered in the United States and/or other countries**

## **Hypertherm Offices Worldwide:**

### **Hypertherm, Inc.**

Etna Road, P.O. Box 5010  
Hanover, NH 03755 USA  
Tel.: (603) 643-3441 (Main Office)  
Fax: (603) 643-5352 (All Departments)  
Tel.: (800) 643-9878 (Technical Service – toll-free in USA and Canada)  
Tel.: (800) 737-2978 (Customer Service – toll-free in USA and Canada)  
email: info@hypertherm.com (General Information)  
email: service@hypertherm.com (Technical/Customer Services)

### **Hypertherm Plasmatechnik GmbH**

Technologiepark Hanau  
Rodenbacher Chaussee 6  
D-63457 Hanau-Wolfgang, Germany  
Tel.: 49 6181 58 2100  
Fax: 49 6181 58 2134

### **Hypertherm (S) Pte Ltd**

No. 19 Kaki Bukit Road 2  
K.B. Warehouse Complex  
Singapore 417847  
Tel.: 65 841 2489  
Fax: 65 841 2490

### **Hypertherm UK Ltd**

9 Berkeley Court, Manor Park  
Runcom, Cheshire, England WA7 1TQ  
Tel.: 44 1928 579 074  
Fax: 44 1928 579 604

### **France**

15 Impasse des Rosiers  
95610 Eragny, France  
Tel.: 33 1 30 37 15 28  
Fax: 33 1 30 37 15 79

### **Hypertherm S.r.L.**

Via Torino 2  
20123 Milan, Italy  
Tel.: 39 02 725 46 312 (Customer Service)  
Tel.: 39 02 725 46 314 (Technical Service)  
Fax: 39 02 725 46 400 (All Departments)

### **Hypertherm B.V.**

Burg, Haverkampstraat 13  
7091 CN Dinxperlo, The Netherlands  
Tel.: 31 315 655 866 (Customer Service)  
Fax: 31 315 655 886

### **European Technical Support Organization (ETSO)**

Edisonstraat 12  
3281 NC Numansdorp, The Netherlands  
Tel.: 00 800 4973 7843 (00 800 Hypertherm) – (toll-free Technical Service)  
Tel.: 31 186 659494  
Fax: 31 186 659495

### **Japan**

Shinjuku Park Tower  
30th Floor  
3-7-1 Nishi-Shinjuku  
Shinjuku-ku, Tokyo  
163-1030, Japan  
Tel.: 81 03 5326 3142  
Fax: 81 03 5326 3001

## HT2000 Off-Valve Upgrade

In this bulletin:

---

Introduction .....	2
Purpose .....	2
Customer Required Tools .....	2
HT2000 Off-Valve Upgrade Kit .....	2
Removal of Old Off-Valve Assembly from Torch .....	4
Installing Ground Wire in Motor Valve Console.....	5
Installing Off-Valve Assembly Upgrade to Torch .....	6
013-2-224 HT2000 Schematic pg. 6 of 9 .....	9

---

# HT2000 Off-Valve Upgrade

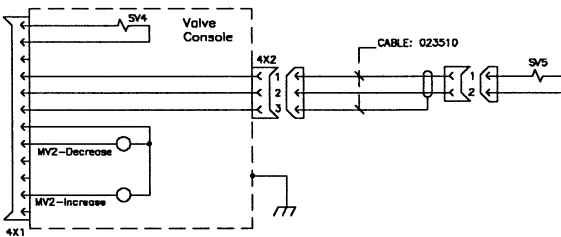
## INTRODUCTION

### Purpose

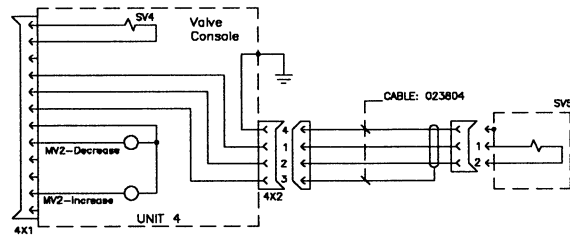
This field service bulletin will enable a qualified electronics technician to upgrade the grounding between the motor valve console and the torch off-valve assembly. This upgrade will provide a ground path for the off-valve solenoid housing in case of an electrical fault.

A representation of this upgrade appears in the schematic below.

**Before Upgrade**



**After Upgrade**



Included in this kit are a new torch off-valve assembly, a new cable to run between the torch off-valve and the motor valve console, and an internal ground wire to be installed in the motor valve console.

### Customer Required Tools

- Screwdriver
- Two 7/16" open-end wrenches
- Hex wrench set

### HT2000 Off-Valve Upgrade Kit (028821):

Part No.	Description	Qty.
028821	HT2000 Off-Valve Upgrade Kit	
023804	Cable:2000 Motv/Tch Off-V (4X2)	1
023904	Gnd wire:Off-Valve Upgrd	1
029943	Off-Valve SA:HT2000 Upgrd	1
802130	Field Service Bulletin	1



### **WARNING - HIGH VOLTAGE!**



**Power to the HT2000 system must be disconnected before modification!**



### **WARNING**



**Work described in this manual must be performed only by qualified electrical or electronic technicians!**

# HT2000 Off-Valve Upgrade

---

## REMOVAL OF OLD OFF-VALVE ASSEMBLY FROM TORCH

1. Shut HT2000 system off.
2. Disconnect both hoses going to the off-valve assembly. Note that the connectors are left-hand threaded and must be turned in a clockwise direction to remove. Use 7/16" wrenches.
3. Disconnect and remove the motor valve console to off-valve cable from the off-valve and from the motor valve console.
4. Using a hex wrench, loosen the screw on the off-valve mounting bracket and remove off-valve assembly from the torch.

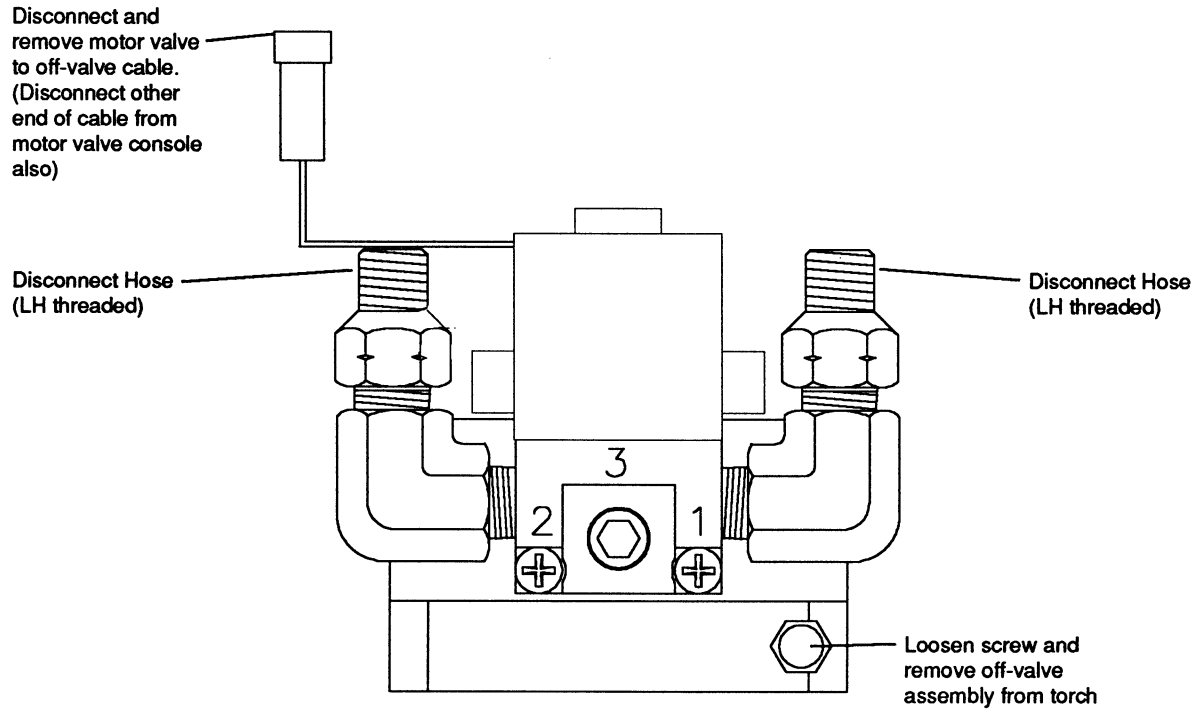


Figure 1 - Disconnecting and Removing old Off-Valve Assembly

# HT2000 Off-Valve Upgrade

## INSTALLING GROUND WIRE IN MOTOR VALVE CONSOLE

1. Open motor valve console and attach terminal end of 023904 ground wire to the ground stud on the motor valve console.
2. Insert the socket end of 023904 ground wire into receptacle 4X2 position #4.

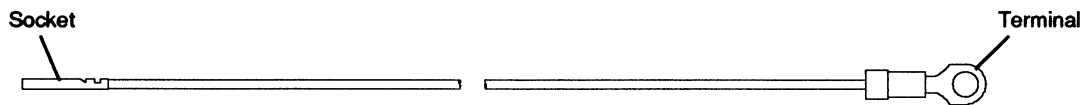


Figure 2 - 023904 Ground Wire

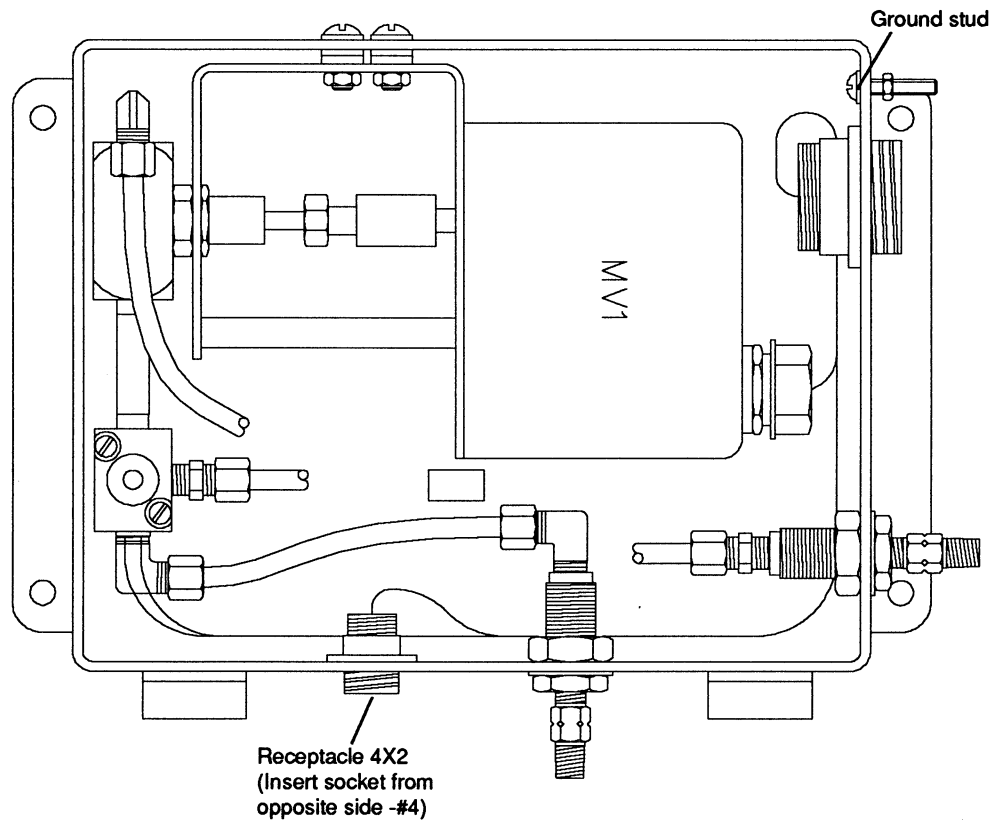


Figure 3 - Connection Points for 023904 Ground Wire



# HT2000 Off-Valve Upgrade

---

## INSTALLING OFF-VALVE ASSEMBLY UPGRADE TO TORCH

1. Slip off-valve assembly upgrade (029943) over torch mounting sleeve and tighten into place.

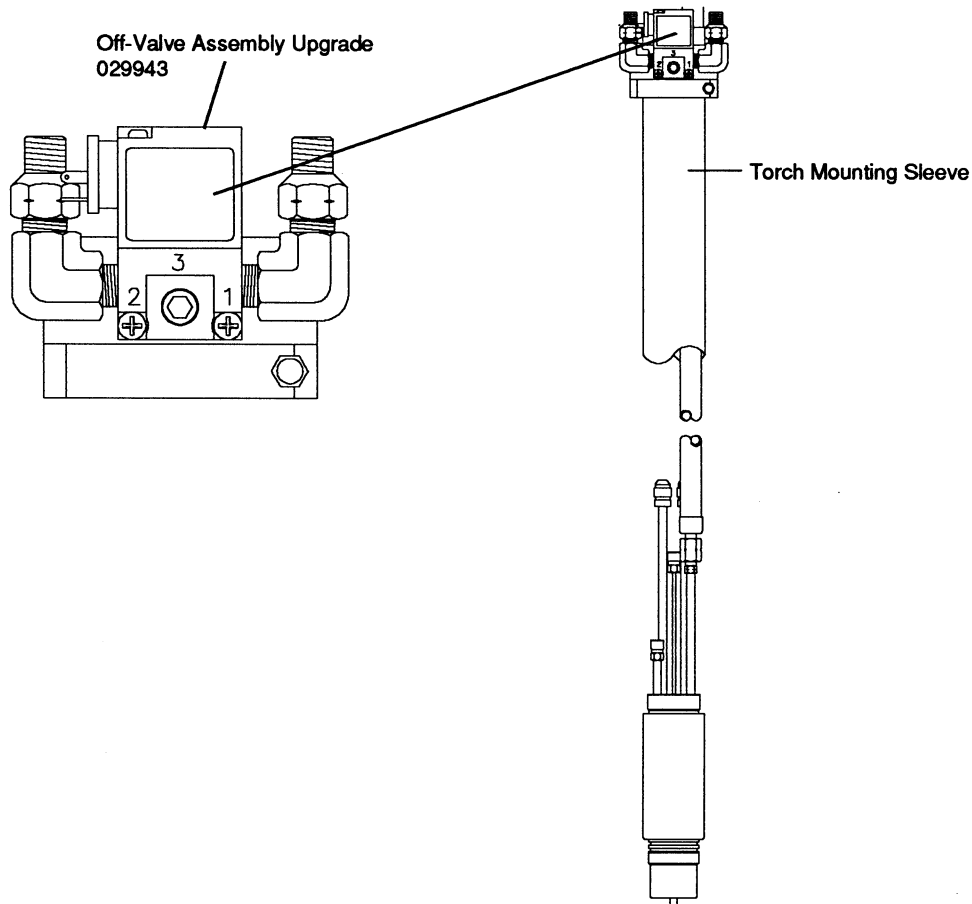


Figure 4 - Off-Valve Assembly Upgrade Attached to Torch

# HT2000 Off-Valve Upgrade

2. Attach two hoses as shown in Figure 5. Note that the hose from inside the torch attaches to point 2 and the hose from the motor valve console attaches to point 1. Use 7/16" wrenches on the left-hand threaded connectors.
3. Connect the cable assembly 023804 to the off-valve assembly and to the motor valve console at receptacle 4X2.

Installation of HT2000 Off-Valve Upgrade is now complete.

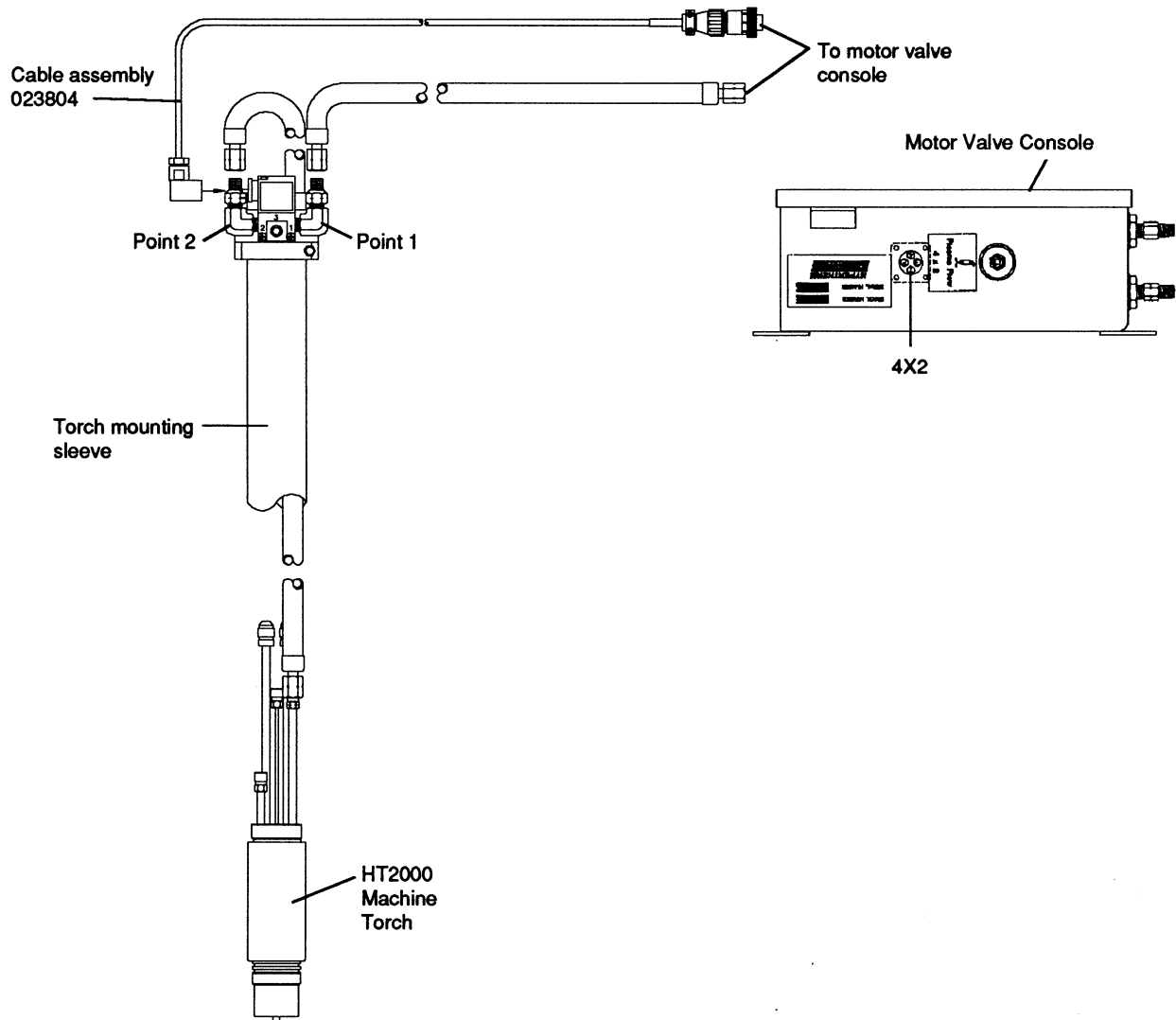


Figure 5 - Hose and Cable Connection Points for Off-Valve Assembly and Motor Valve Console

# **HT2000 Off-Valve Upgrade**

---