

powermax1100

Wheel Installation

Kit: 128142

Field Service Bulletin

IM-282

(P/N 802820)

Revision 1 March, 1998

**HYPERTHERM, Inc.
P.O. Box 5010
Hanover, New Hampshire 03755-5010
Tel.: (603) 643-3441
Fax: (603) 643-5352
<http://www.hypertherm.com>
email:info@hypertherm.com**

© Copyright 1998 Hypertherm, Inc.
All Rights Reserved

HYPERTHERM and POWERMAX are trademarks of Hypertherm, Inc. and may be registered in the United States and/or other countries

Hypertherm Offices Worldwide:

Hypertherm, Inc.

Etna Road, P.O. Box 5010
Hanover, NH 03755 USA
Tel.: (603) 643-3441 (Main Office)
Fax: (603) 643-5352 (All Departments)
Tel.: (800) 643-9878 (Technical Service – toll-free in USA and Canada)
Tel.: (800) 737-2978 (Customer Service – toll-free in USA and Canada)
email: info@hypertherm.com (General Information)
email: service@hypertherm.com (Technical/Customer Services)

Hypertherm Plasmatechnik GmbH

Technologiepark Hanau
Rodenbacher Chaussee 6
D-63457 Hanau-Wolfgang, Germany
Tel.: 49 6181 58 2100
Fax: 49 6181 58 2134

Hypertherm (S) Pte Ltd

No. 19 Kaki Bukit Road 2
K.B. Warehouse Complex
Singapore 417847
Tel.: 65 841 2489
Fax: 65 841 2490

Hypertherm UK Ltd

9 Berkeley Court, Manor Park
Runcorn, Cheshire, England WA7 1TQ
Tel.: 44 1928 579 074
Fax: 44 1928 579 604

France

15 Impasse des Rosiers
95610 Eragny, France
Tel.: 33 1 30 37 15 28
Fax: 33 1 30 37 15 79

Hypertherm S.r.L.

Via Torino 2
20123 Milan, Italy
Tel.: 39 02 725 46 312 (Customer Service)
Tel.: 39 02 725 46 314 (Technical Service)
Fax: 39 02 725 46 400 (All Departments)

Hypertherm B.V.

Burg, Haverkampstraat 13
7091 CN Dinxperlo, The Netherlands
Tel.: 31 315 655 866 (Customer Service)
Fax: 31 315 655 886

European Technical Support Organization (ETSO)

Edisonstraat 12
3281 NC Numansdorp, The Netherlands
Tel.: 00 800 4973 7843 (00 800 Hypertherm) – (toll-free Technical Service)
Tel.: 31 186 659494
Fax: 31 186 659495

Japan

Shinjuku Park Tower
30th Floor
3-7-1 Nishi-Shinjuku
Shinjuku-ku, Tokyo
163-1030, Japan
Tel.: 81 03 5326 3142
Fax: 81 03 5326 3001

Installation of Wheels to **powermax1100** sheet 1 of 2

Kit: 128142



WARNING



SHOCK HAZARD: Always turn off the power and unplug the cord before installing wheels on the power supply. If power unit is directly connected to a line disconnect switch, place line disconnect switch in the OFF position. Lock out and tag out switch before proceeding!

| Part No. | Description |
|----------|---------------------------------|
| 128142 | Kit: Pmx1100 Power Unit Wheels |
| 001446 | Foot:Pmx1100 Power Unit |
| 004672 | Axle:Pmx1100 Power Unit |
| 027057 | Wheel:8" X 1.75" |
| 027249 | Retaining Ring:1/2" |
| 027299 | Caster: Swivel |
| 075096 | M/S:10-32 X 1-1/4 PH Pan |
| 075174 | Lock Washer:#10 Internal |
| 075425 | M/S:10-32 X 1-1/2 PH Pan |
| 108039 | Spacer:.505 X .75 OD X .88 Long |

Before mounting the rear wheels and casters to the Powermax1100, remove 2 screws from the cover. See Fig. 1. After mounting the rear wheels, these screw holes will be covered by the wheels.

1. Remove the 2 screws at the lower rear corners of the power supply - Fig. 1.

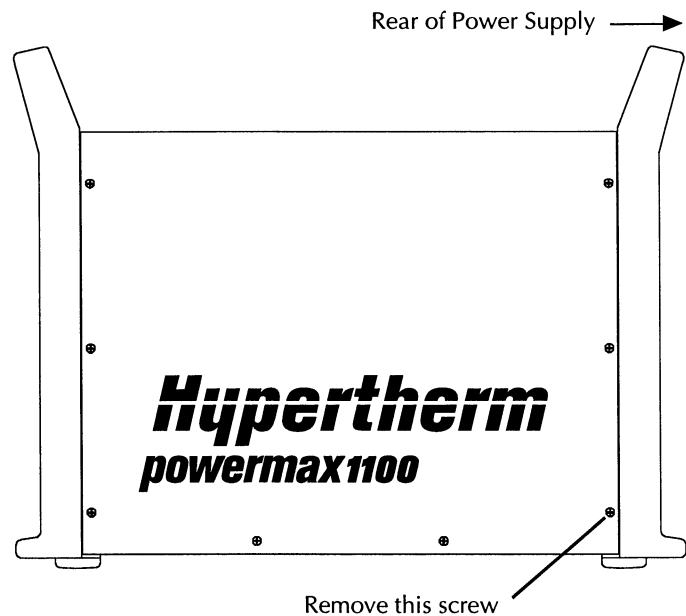
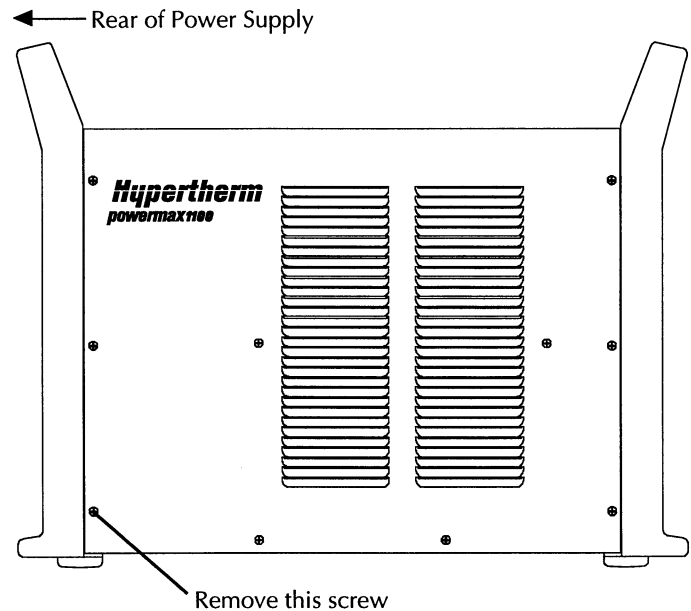


Figure 1 Screw Removal

Installation of Wheels to *powermax1100* sheet 2 of 2

Kit: 128142

2. If the torch is connected to the power supply, unscrew and remove the torch and leads.
3. Carefully tilt the power supply forward onto its front handle - Fig. 2.

4. Attach 2 of the mounting feet to the upper end of the power supply chassis:

- With the counter bores of the mounting feet facing the power supply, insert the shorter screws (075096) through the holes.
- Align the screws to chassis mounting holes and screw feet to chassis.

5. Snap a retaining ring on one end of the axle.

6. Slide one wheel on the axle.

7. Slide the plastic shoulder washer over the end of the axle.

8. Slide the axle through axle hole in the left mounting foot as shown.

9. Continue sliding axle through to axle hole in right mounting foot and mount the other wheel as shown.

10. Insert the longer screws (075425) through lock washers (075174), caster and mounting foot and screw into the lower right power supply chassis mounting holes as shown.

11. Repeat step 10 to mount the caster into the lower left power supply chassis mounting holes.

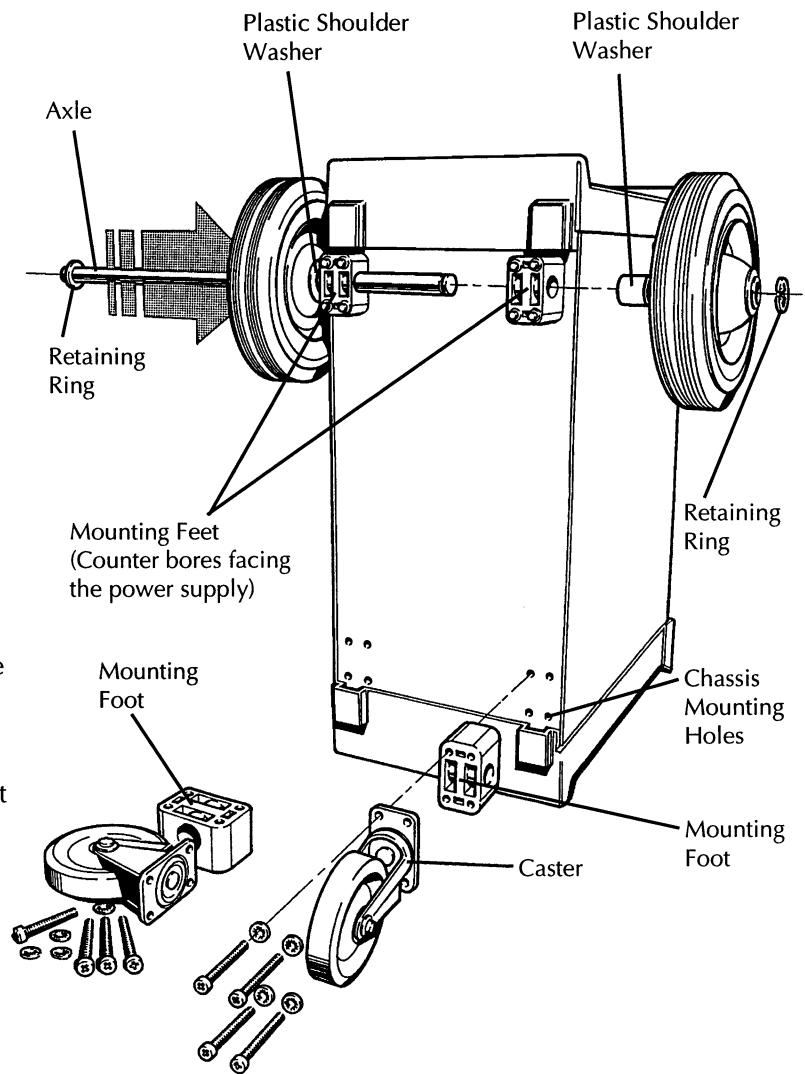


Figure 2 Wheel Installation

Wheel installation is complete. See Powermax1100 operator manual (802730) for further installation and operation instructions.

