

Hypertherm®

**HyDefinition®
RHF Console Field Change**

**Filter Subassembly and Capacitor Subassembly
Replacement**

**Field Service Bulletin
IM-309
(P/N 803090)**

Revision 1 January, 1998

**HYPERTHERM, Inc.
P.O. Box 5010
Hanover, New Hampshire 03755-5010
Tel.: (603) 643-3441
Fax: (603) 643-5352**

**© Copyright 1998 Hypertherm, Inc.
All Rights Reserved**

**HYPERTHERM and HyDefinition are trademarks of Hypertherm, Inc. and
may be registered in the United States and/or other countries**

Hypertherm Offices Worldwide:

Hypertherm, Inc.

Etna Road, P.O. Box 5010
Hanover, NH 03755 USA
Tel.: (603) 643-3441 (Main Office)
Fax: (603) 643-5352 (All Departments)
Tel.: (800) 643-9878 (Technical Service – toll-free in USA and Canada)
Tel.: (800) 737-2978 (Customer Service – toll-free in USA and Canada)
email: info@hypertherm.com (General Information)
email: service@hypertherm.com (Technical/Customer Services)

Hypertherm Plasmatechnik GmbH

Technologiepark Hanau
Rodenbacher Chaussee 6
D-63457 Hanau-Wolfgang, Germany
Tel.: 49 6181 58 2100
Fax: 49 6181 58 2134

Hypertherm (S) Pte Ltd

No. 19 Kaki Bukit Road 2
K.B. Warehouse Complex
Singapore 417847
Tel.: 65 841 2489
Fax: 65 841 2490

Hypertherm UK Ltd

9 Berkeley Court, Manor Park
Runcorn, Cheshire, England WA7 1TQ
Tel.: 44 1928 579 074
Fax: 44 1928 579 604

France

15 Impasse des Rosiers
95610 Eragny, France
Tel.: 33 1 30 37 15 28
Fax: 33 1 30 37 15 79

Hypertherm S.r.L.

Via Torino 2
20123 Milan, Italy
Tel.: 39 02 725 46 312 (Customer Service)
Tel.: 39 02 725 46 314 (Technical Service)
Fax: 39 02 725 46 400 (All Departments)

Hypertherm B.V.

Burg, Haverkampstraat 13
7091 CN Dinxperlo, The Netherlands
Tel.: 31 315 655 866 (Customer Service)
Fax: 31 315 655 886

European Technical Support Organization (ETSO)

Edisonstraat 12
3281 NC Numansdorp, The Netherlands
Tel.: 00 800 4973 7843 (00 800 Hypertherm) – (toll-free Technical Service)
Tel.: 31 186 659494
Fax: 31 186 659495

Japan

Shinjuku Park Tower
30th Floor
3-7-1 Nishi-Shinjuku
Shinjuku-ku, Tokyo
163-1030, Japan
Tel.: 81 03 5326 3142
Fax: 81 03 5326 3001

HYDEFINITION RHF FIELD CHANGE

PURPOSE

This field bulletin provides the necessary information to make the following changes at the RHF Console:

- Remove the existing filter sub assembly and two spark gap capacitors.
- Install the new filter subassembly and capacitor subassembly.

TOOLS REQUIRED

- Flat blade screwdriver
- # 2 Phillips head screwdriver
- 5/16 inch nut driver
- 1/2 inch socket wrench
- 7/16 inch wrench (2)
- 9/16 inch wrench (2)
- 7/16 inch socket with 6 inch extension
- 9/16 inch socket with 6 inch extension

FIELD CHANGE KIT (128282)

<u>Part No.</u>	<u>Description/Quantity</u>
129347	Subassembly, Filter RHF Field Upgrade
129346	Subassembly, Capacitor RHF Field Upgrade
123356	Wire, Pilot Arc 11 inches
803090	Field Bulletin, HyDefinition RHF Console Field Change - Filter Subassembly and Capacitor Subassembly Replacement (Revision 1)

PROCEDURE



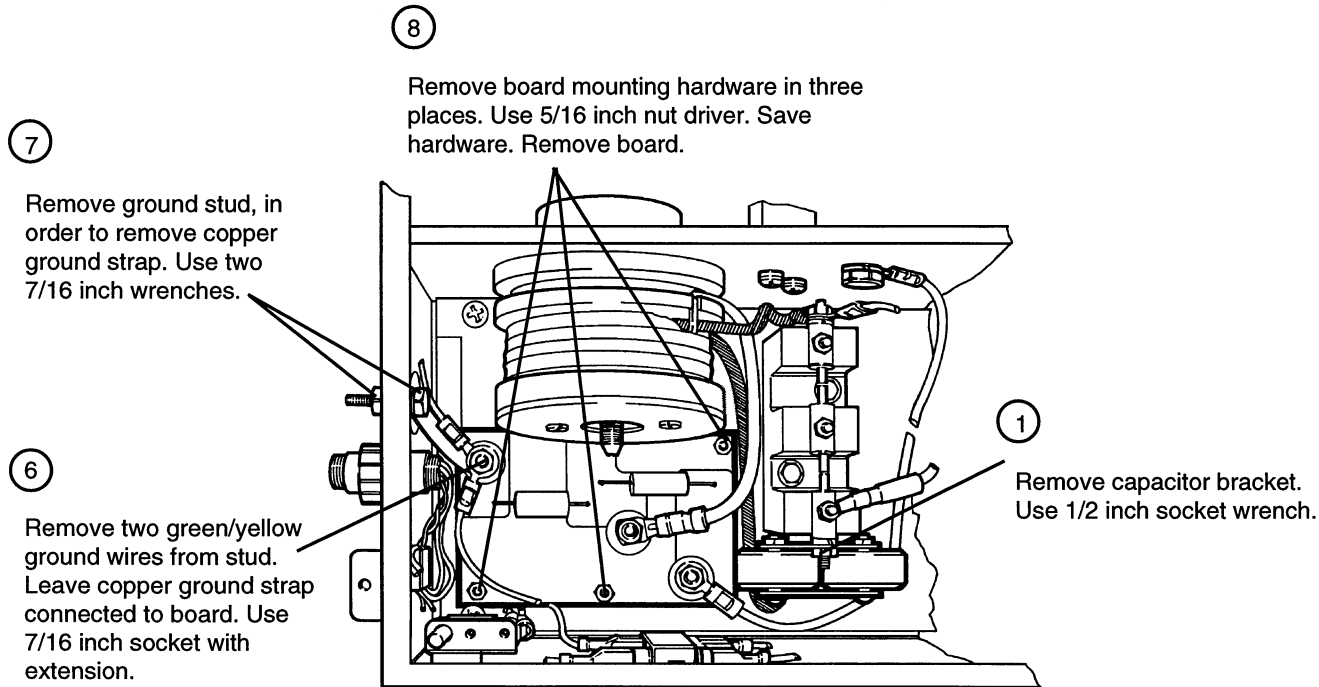
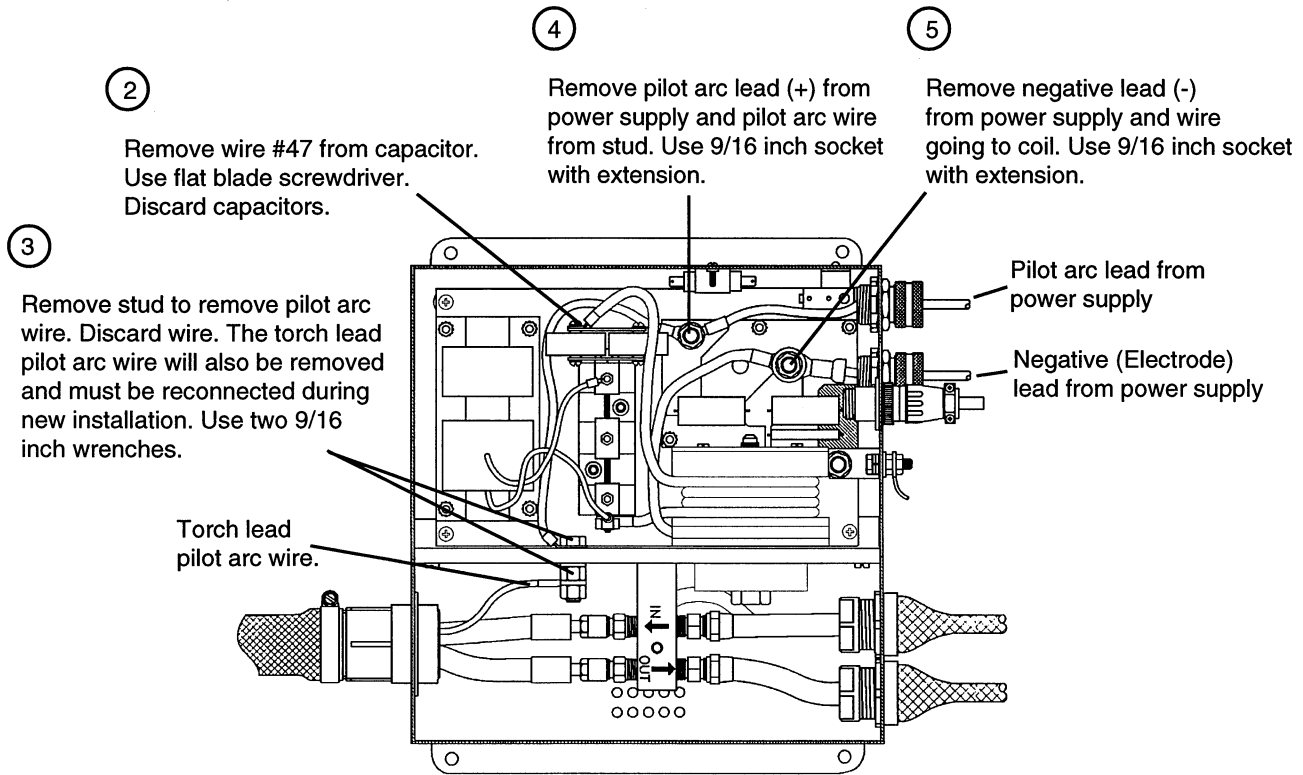
WARNING

Turn off all power to the HyDefinition system before working on the RHF console. Always press the power unit OFF (O) pushbutton switch and set the line disconnect switch to OFF. Lock-out and tag-out switch.

1. Read the WARNING above.
2. Open RHF cover.
3. Perform the instructions sequentially by referring to the figures on the following pages.

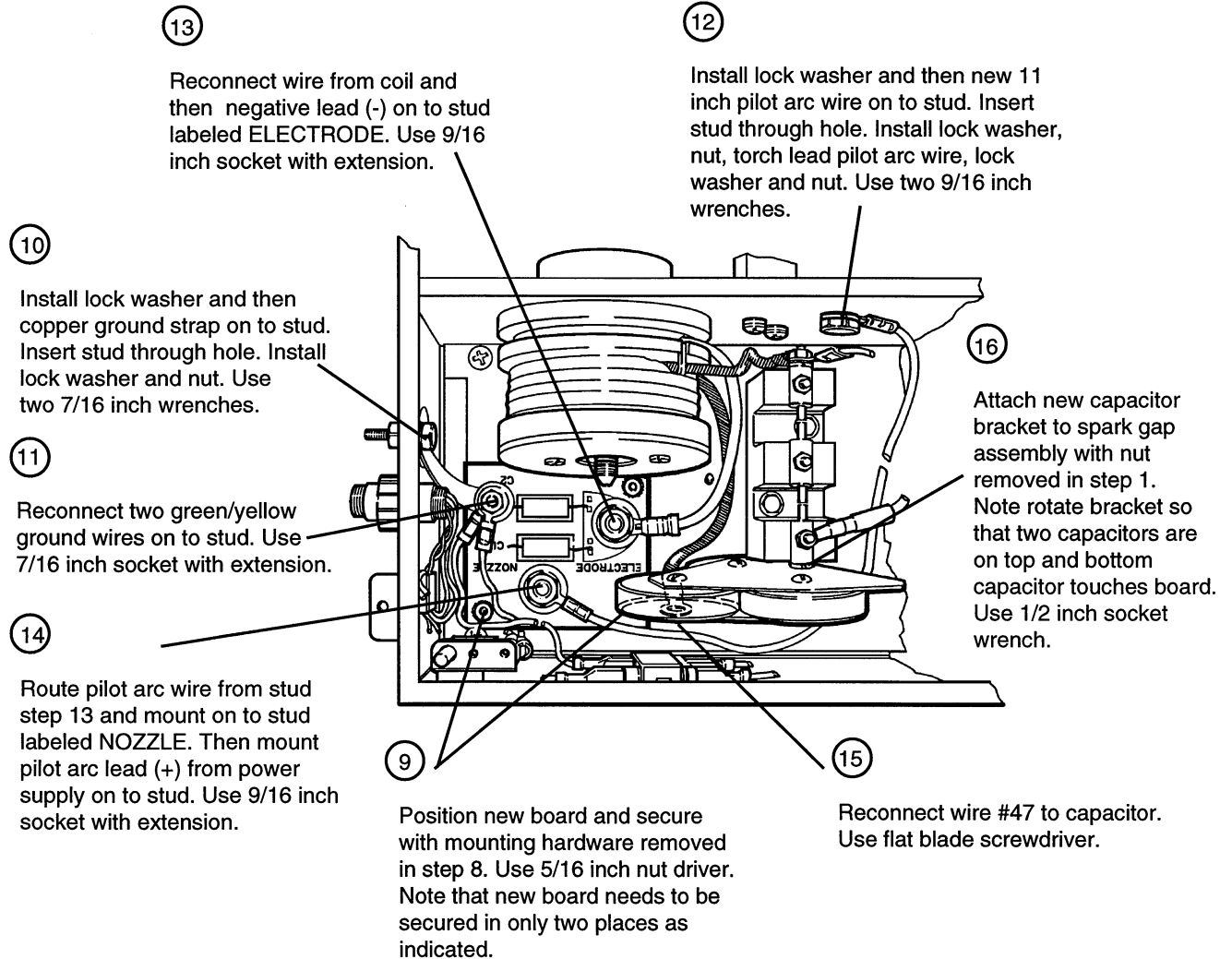
HYDEFINITION RHF FIELD CHANGE

Remove Existing PCB and Capacitors



HYDEFINITION RHF FIELD CHANGE

New PCB and Capacitor Installation



HYDEFINITION RHF FIELD CHANGE

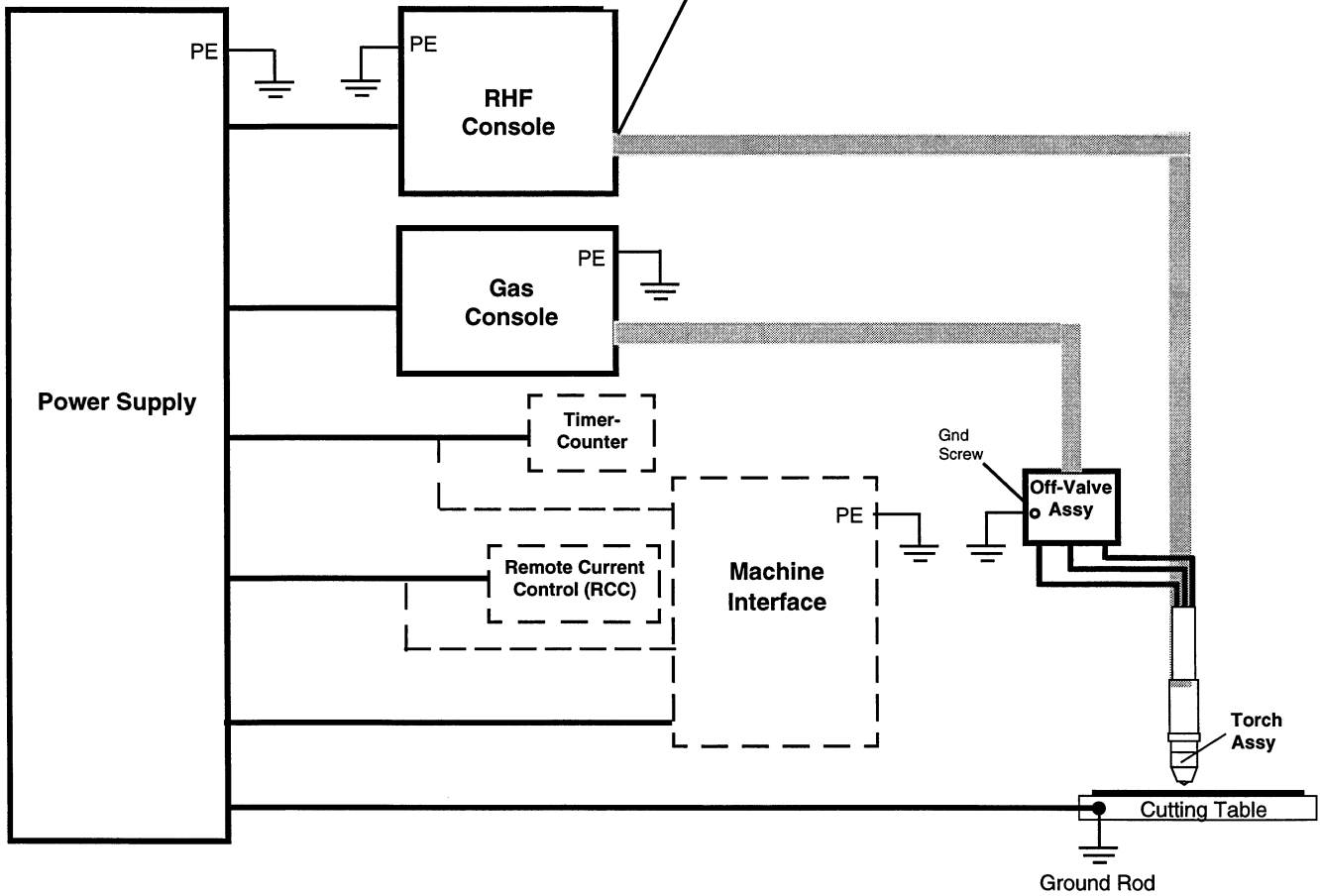
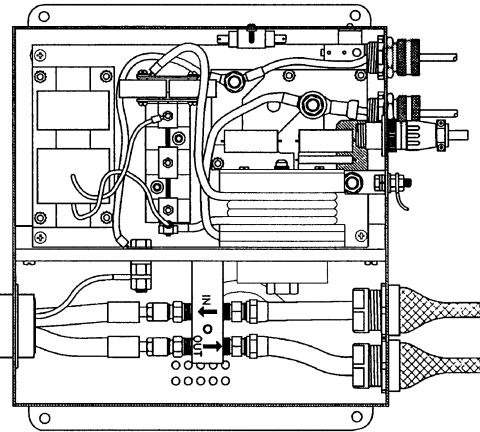
HyDefinition System Grounds

PE Grounding Information:

- Use # 6 AWG grounding wires or larger.
- Run each grounding wire separately to the cutting table ground (ground rod).
Do not daisy chain.

Ensure the braided sheathing on torch lead set is securely attached to RHF for good grounding.

RHF Console



FOR OEM USE

Please fill out the following information and send to Hypertherm to receive reimbursement for installing the RHF Field Change.

OEM _____

1. INSTALLATION DATA

- Verify that the installation is complete per Field Bulletin 803090. Date of completion _____
- Verify that system grounds are in place. Date of completion _____
Refer to preceding page.
- Provide power supply serial number. Serial number _____

2. REIMBURSEMENT CLAIM FOR LABOR

- Maximum allowable claim = 1 hour.

Installation Time = _____

X Labor Rate = _____

Claim = _____

3. RETURN TO HYPERTHERM

- Fax to Customer Service at (800) 445-2329 (USA)
(603) 643-3814 (International)

