

***Hypertherm***<sup>®</sup>

**PAC125 Torch Replacement  
for MAX42 and MAX43 Systems**

**Field Service Bulletin  
IM-354  
(P/N 803540)**

**Revision 0 April, 1999**

**Hypertherm, Inc.  
Hanover, NH  
<http://www.hypertherm.com>  
[email:info@hypertherm.com](mailto:info@hypertherm.com)**

© Copyright 1999 Hypertherm, Inc.  
All Rights Reserved

Hypertherm, HyDefinition, HT, HyLife, LongLife, MAX, PAC and Powermax are trademarks of Hypertherm, Inc.,  
and may be registered in the United States and/or other countries

## ***Hypertherm Offices Worldwide:***

### **Hypertherm, Inc.**

Etna Road, P.O. Box 5010  
Hanover, NH 03755 USA  
Tel.: (603) 643-3441 (Main Office)  
Fax: (603) 643-5352 (All Departments)  
Tel.: (800) 643-9878 (Technical Service – toll-free in USA and Canada)  
Tel.: (800) 737-2978 (Customer Service – toll-free in USA and Canada)  
email: info@hypertherm.com (General Information)  
email: service@hypertherm.com (Technical/Customer Services)

### **Hypertherm Plasmatechnik GmbH**

Technologiepark Hanau  
Rodenbacher Chaussee 6  
D-63457 Hanau-Wolfgang, Germany  
Tel.: 49 6181 58 2100  
Fax: 49 6181 58 2134

### **Hypertherm (S) Pte Ltd**

No. 19 Kaki Bukit Road 2  
K.B. Warehouse Complex  
Singapore 417847  
Tel.: 65 841 2489  
Fax: 65 841 2490

### **Hypertherm UK Ltd**

9 Berkeley Court, Manor Park  
Runcorn, Cheshire, England WA7 1TQ  
Tel.: 44 1928 579 074  
Fax: 44 1928 579 604

### **France**

15 Impasse des Rosiers  
95610 Eragny, France  
Tel.: 33 1 30 37 15 28  
Fax: 33 1 30 37 15 79

### **Hypertherm S.r.L.**

Via Torino 2  
20123 Milan, Italy  
Tel.: 39 02 725 46 312 (Customer Service)  
Tel.: 39 02 725 46 314 (Technical Service)  
Fax: 39 02 725 46 400 (All Departments)

### **Hypertherm B.V.**

Burg, Haverkampstraat 13  
7091 CN Dinxperlo, The Netherlands  
Tel.: 31 315 655 866 (Customer Service)  
Fax: 31 315 655 886

### **European Technical Support Organization (ETSO)**

Edisonstraat 12  
3281 NC Numansdorp, The Netherlands  
Tel.: 00 800 4973 7843 (00 800 Hypertherm) – (toll-free Technical Service)  
Tel.: 31 186 659494  
Fax: 31 186 659495

### **Japan**

Shinjuku Park Tower  
30th Floor  
3-7-1 Nishi-Shinjuku  
Shinjuku-ku, Tokyo  
163-1030, Japan  
Tel.: 81 03 5326 3142  
Fax: 81 03 5326 3001

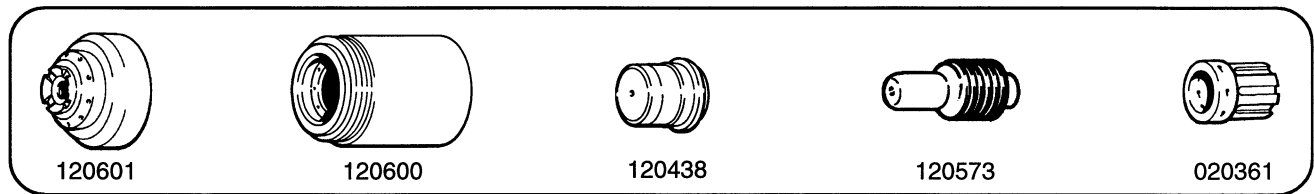
# PAC125T Replacement Torch for MAX42/43 Systems

PAC125T Torch Assembly and 15 ft (4.6 m) Lead - 083127

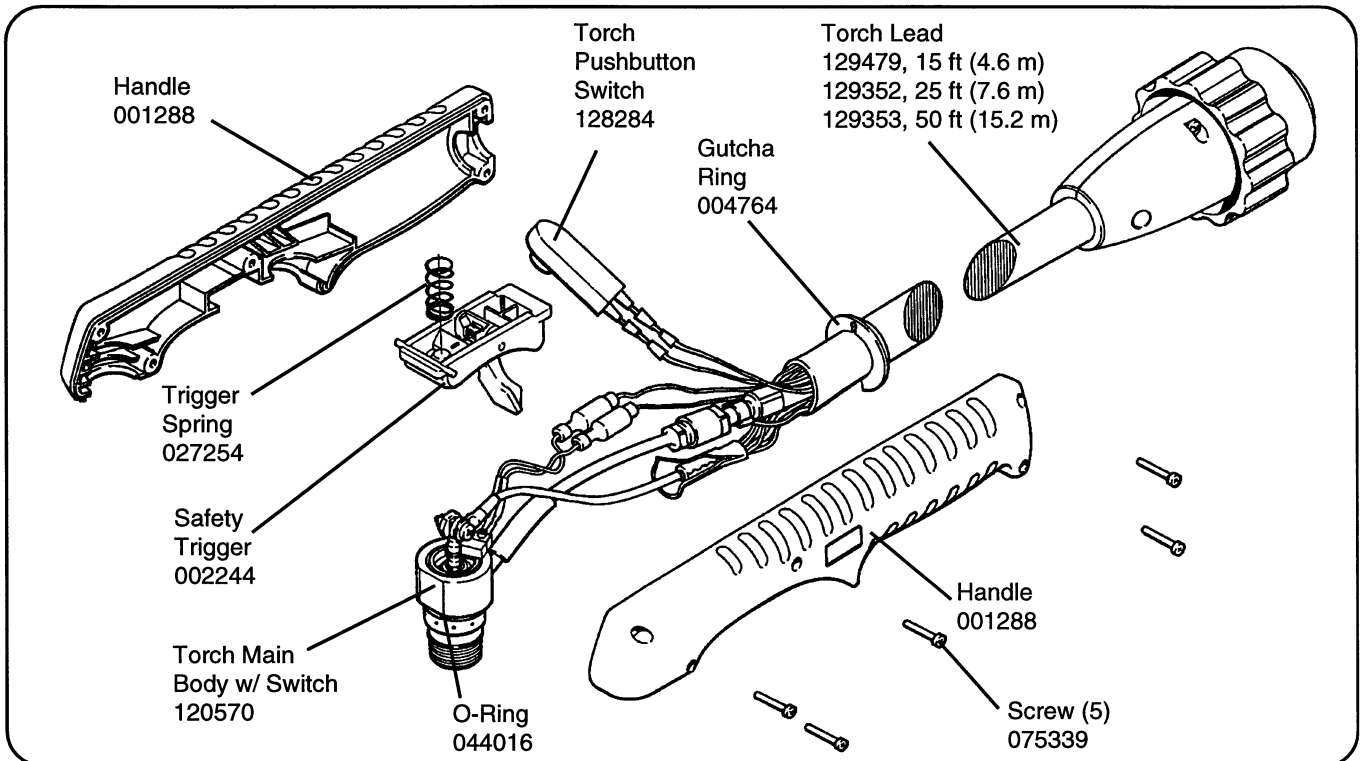
PAC125T Torch Assembly and 25 ft (7.6 m) Lead - 083128

PAC125T Torch Assembly and 50 ft (15.2 m) Lead - 083129

Part Number	Description
120601	Shield
120600	Cap, Retaining
120438	Nozzle
120573	Electrode, Air
020361	Ring, Swirl
001288	Handle, PAC121/125T
002244	Safety Trigger, PAC121/125T
128284	Kit: Switch Repair
027254	Trigger Spring
004764	Ring, Gutcha
075339	Screws, P/S, # 4 X 1/2, PH, RND, S/B
120570	Torch Main Body with Switch, PAC125T
044016	O-Ring: BUNA 90 Duro .614X.070
129479	Torch Lead, 15 ft (4.6 m)
129352	Torch Lead, 25 ft (7.6 m)
129353	Torch Lead, 50 ft (15.2 m)
044009	Quick Disconnect O-Ring (not shown)



**PAC125T Consumables for MAX42/43**

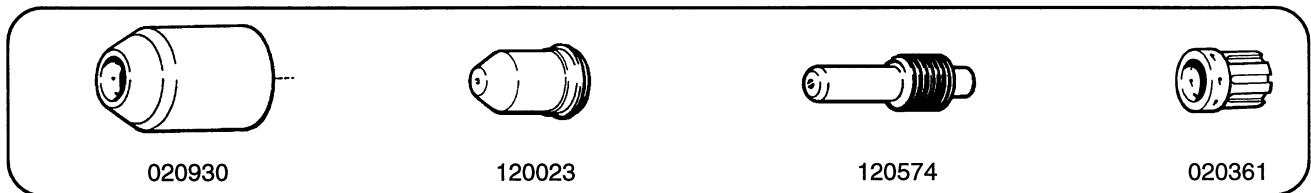


**PAC125T Torch for use with MAX42/43**

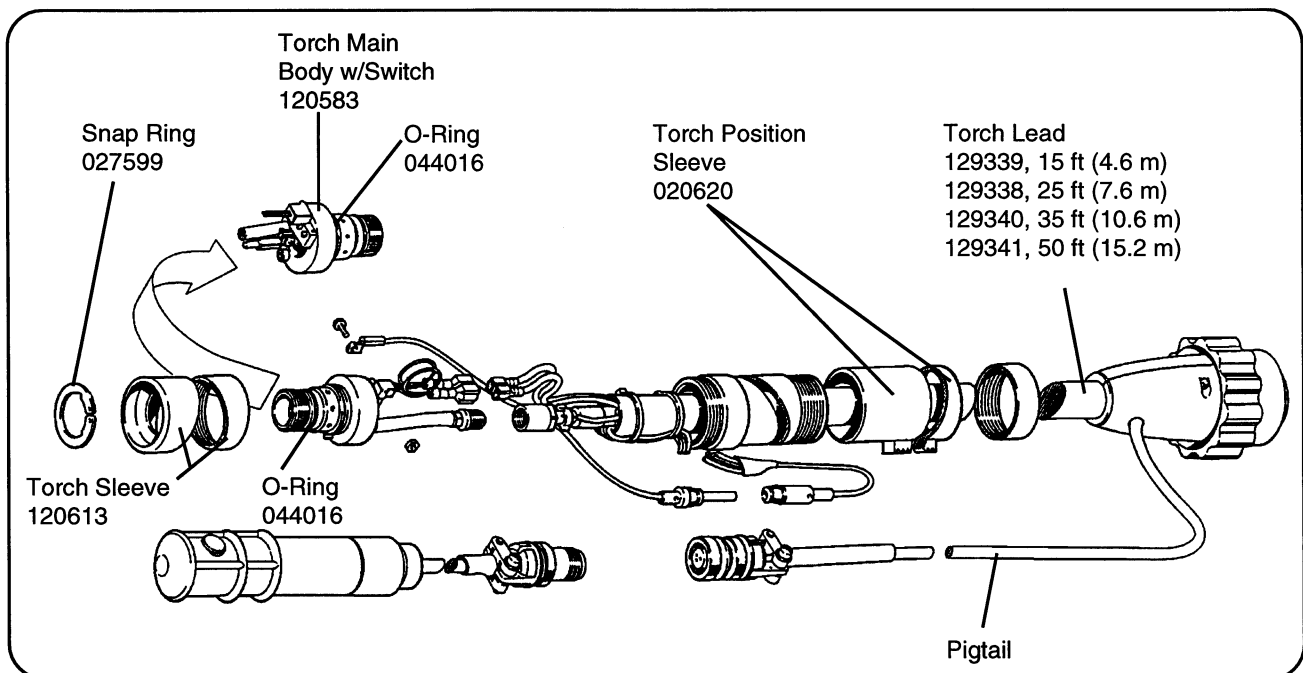
# **PAC125M Replacement Torch for MAX42/43 Systems**

- PAC125M Torch Assembly and 15 ft (4.6 m) Lead - 083132**
- PAC125M Torch Assembly and 25 ft (7.6 m) Lead - 083133**
- PAC125M Torch Assembly and 35 ft (10.6 m) Lead - 083134**
- PAC125M Torch Assembly and 50 ft (15.2 m) Lead - 083135**

Part Number	Description
020930 .....	Cap, Retaining
120023 .....	Nozzle
120574 .....	Electrode, Air
020361 .....	Ring, Swirl
120613 .....	Sleeve, Machine Torch, PAC125M
020620 .....	Sleeve, Torch Position, PAC121/125M
129339 .....	Torch Lead, 15 ft (4.6 m)
129338 .....	Torch Lead, 25 ft (7.6 m)
129340 .....	Torch Lead, 35 ft (10.6 m)
129341 .....	Torch Lead, 50 ft (15.2 m)
044009 .....	Quick Disconnect O-Ring (not shown)
027599 .....	Snap Ring
120583 .....	Torch Main Body w/ Switch, PAC125M
044016 .....	O-Ring: BUNA 90 Duro .614X.070



**PAC125M Consumables for MAX42/43**



**PAC125M Torch for use with MAX42/43**

