

Hypertherm[®]

**PAC125 Torch Replacement
for Powermax800 Systems**

**Field Service Bulletin
IM-355
(P/N 803550)**

Revision 0 April, 1999

**Hypertherm, Inc.
Hanover, NH
<http://www.hypertherm.com>
[email:info@hypertherm.com](mailto:info@hypertherm.com)**

**© Copyright 1999 Hypertherm, Inc.
All Rights Reserved**

**Hypertherm, HyDefinition, HT, HyLife, LongLife, MAX, PAC and Powermax are trademarks of Hypertherm, Inc.,
and may be registered in the United States and/or other countries**

Hypertherm Offices Worldwide:

Hypertherm, Inc.

Etna Road, P.O. Box 5010
Hanover, NH 03755 USA
Tel.: (603) 643-3441 (Main Office)
Fax: (603) 643-5352 (All Departments)
Tel.: (800) 643-9878 (Technical Service – toll-free in USA and Canada)
Tel.: (800) 737-2978 (Customer Service – toll-free in USA and Canada)
email: info@hypertherm.com (General Information)
email: service@hypertherm.com (Technical/Customer Services)

Hypertherm Plasmatechnik GmbH

Technologiepark Hanau
Rodenbacher Chaussee 6
D-63457 Hanau-Wolfgang, Germany
Tel.: 49 6181 58 2100
Fax: 49 6181 58 2134

Hypertherm (S) Pte Ltd

No. 19 Kaki Bukit Road 2
K.B. Warehouse Complex
Singapore 417847
Tel.: 65 841 2489
Fax: 65 841 2490

Hypertherm UK Ltd

9 Berkeley Court, Manor Park
Runcorn, Cheshire, England WA7 1TQ
Tel.: 44 1928 579 074
Fax: 44 1928 579 604

France

15 Impasse des Rosiers
95610 Eragny, France
Tel.: 33 1 30 37 15 28
Fax: 33 1 30 37 15 79

Hypertherm S.r.L.

Via Torino 2
20123 Milan, Italy
Tel.: 39 02 725 46 312 (Customer Service)
Tel.: 39 02 725 46 314 (Technical Service)
Fax: 39 02 725 46 400 (All Departments)

Hypertherm B.V.

Burg, Haverkampstraat 13
7091 CN Dinxperlo, The Netherlands
Tel.: 31 315 655 866 (Customer Service)
Fax: 31 315 655 886

European Technical Support Organization (ETSO)

Edisonstraat 12
3281 NC Numansdorp, The Netherlands
Tel.: 00 800 4973 7843 (00 800 Hypertherm) – (toll-free Technical Service)
Tel.: 31 186 659494
Fax: 31 186 659495

Japan

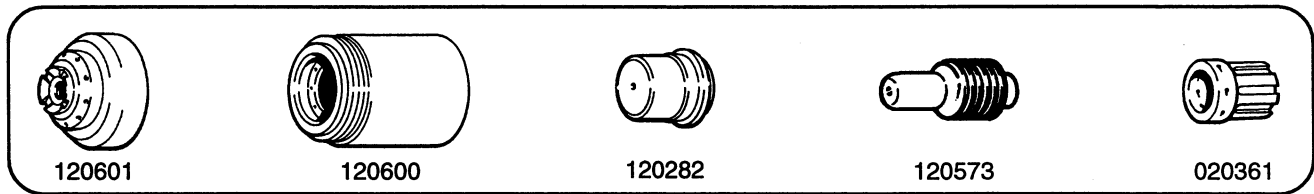
Shinjuku Park Tower
30th Floor
3-7-1 Nishi-Shinjuku
Shinjuku-ku, Tokyo
163-1030, Japan
Tel.: 81 03 5326 3142
Fax: 81 03 5326 3001

PAC125T Replacement Torch for Powermax800 Systems

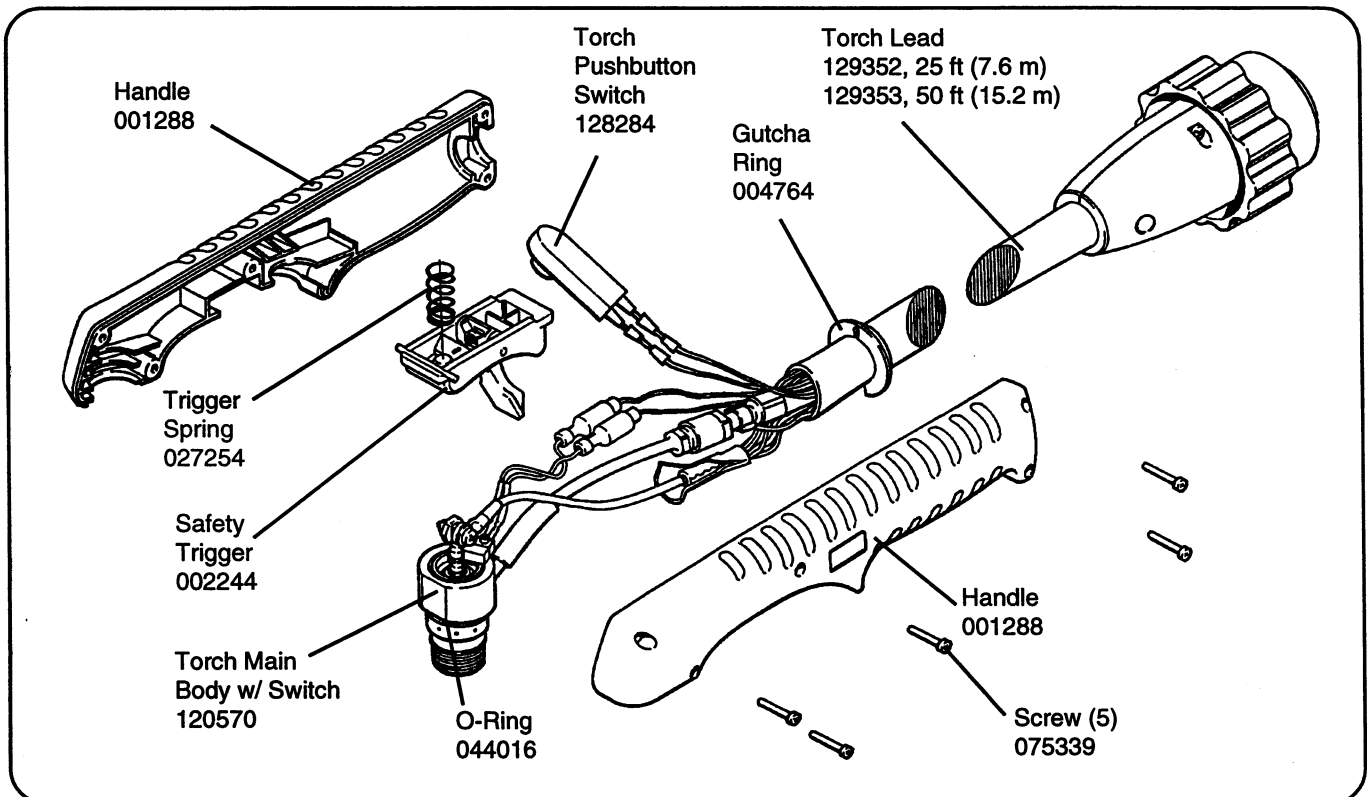
PAC125T Torch Assembly and 25 ft (7.6 m) Lead - 083130

PAC125T Torch Assembly and 50 ft (15.2 m) Lead - 083131

Part Number	Description
120601	Shield
120600	Cap, Retaining
120282	Nozzle
120573	Electrode, Air
020361	Ring, Swirl
001288	Handle, PAC121/125T
002244	Safety Trigger, PAC121/125T
128284	Kit: Switch Repair
027254	Trigger Spring
004764	Ring, Gutcha
075339	Screws, P/S, # 4 X 1/2, PH, RND, S/B
120570	Torch Main Body with Switch, PAC125T
044016	O-Ring: BUNA 90 Duro .614X.070
129352	Torch Lead, 25 ft (7.6 m)
129353	Torch Lead, 50 ft (15.2 m)
044009	Quick Disconnect O-Ring (not shown)



PAC125T Consumables for Powermax800

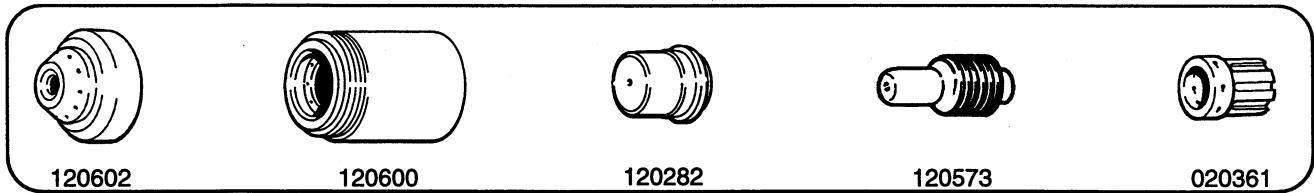


PAC125T Torch for use with Powermax800

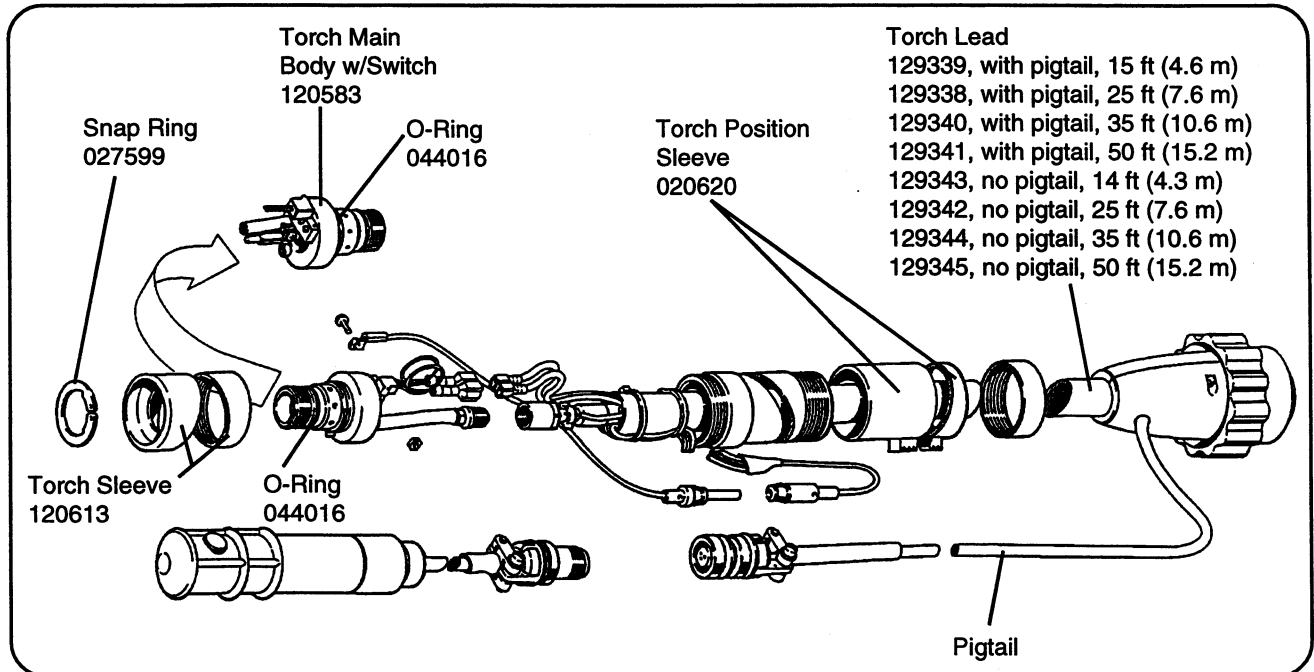
PAC125M Replacement Torch for Powermax800 Systems

PAC125M Torch Assembly and 15 ft (4.6 m) Lead - 083136 w/pigtail, 083140 no pigtail
 PAC125M Torch Assembly and 25 ft (7.6 m) Lead - 083137 w/pigtail, 083141 no pigtail
 PAC125M Torch Assembly and 35 ft (10.6 m) Lead - 083138 w/pigtail, 083142 no pigtail
 PAC125M Torch Assembly and 50 ft (15.2 m) Lead - 083139 w/pigtail, 083143 no pigtail

Part Number	Description
120602	Shield: PAC121M Machine Torch
120600	Cap, Retaining
120282	Nozzle
120573	Electrode, Air
020361	Ring, Swirl
120613	Sleeve, Machine Torch, PAC125M
020620	Sleeve, Torch Position, PAC121/125M
129339	Torch Lead w/pigtail, 15 ft (4.6 m)
129338	Torch Lead w/pigtail, 25 ft (7.6 m)
129340	Torch Lead w/pigtail, 35 ft (10.6 m)
129341	Torch Lead w/pigtail, 50 ft (15.2 m)
129343	Torch Lead, no pigtail, 14 ft (4.3 m)
129342	Torch Lead, no pigtail, 25 ft (7.6 m)
129344	Torch Lead, no pigtail, 35 ft (10.6 m)
129345	Torch Lead, no pigtail, 50 ft (15.2 m)
044009	Quick Disconnect O-Ring (not shown)
027599	Snap Ring
120583	Torch Main Body w/ Switch, PAC125M
044016	O-Ring: BUNA 90 Duro .614X.070



PAC125M Consumables for Powermax800



PAC125M Torch for use with Powermax800

