

Hypertherm[®]

powermax1000[®] **G3 SERIES**[™]
powermax1250[®] **G3 SERIES**[™]

Regulator Replacement

Kit # 128623



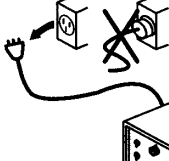
Field Service Bulletin
(P/N 804260)

Revision 1 - December, 2001

Hypertherm, Inc.
Hanover, NH USA
www.hypertherm.com

© Copyright 2001 Hypertherm, Inc.
All Rights Reserved

Hypertherm and Powermax are trademarks of Hypertherm, Inc.
and may be registered in the United States and/or other countries.

		<p>WARNING ELECTRIC SHOCK CAN KILL</p>
	<p>Disconnect electrical power before performing any maintenance. All work requiring removal of the power supply cover must be performed by a qualified technician. See <i>Section 1</i> of the Operator Manual for more safety precautions.</p>	

Introduction

Purpose

Describes necessary steps to replace the regulator.

Tools Needed

- Phillips head screwdriver.
- 1/16" allen wrench.
- Flat head screwdriver.
- Channel lock pliers

Kit Contents

Part Number	Description	Qty
129728	Regulator	1

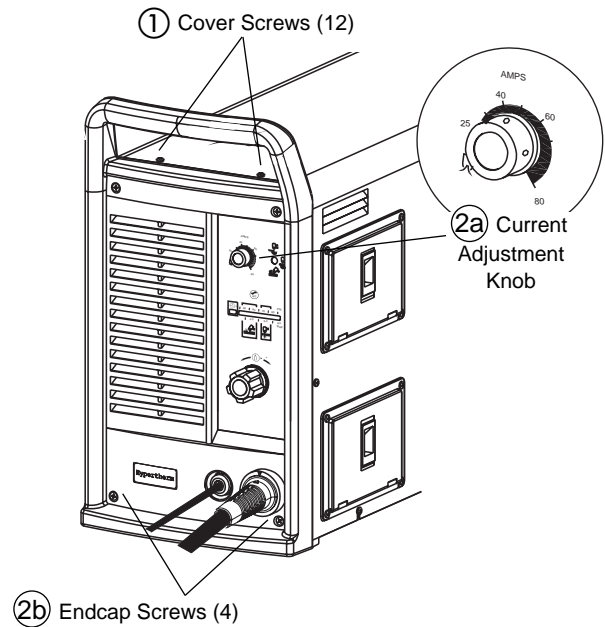
REGULATOR REPLACEMENT

Preparation

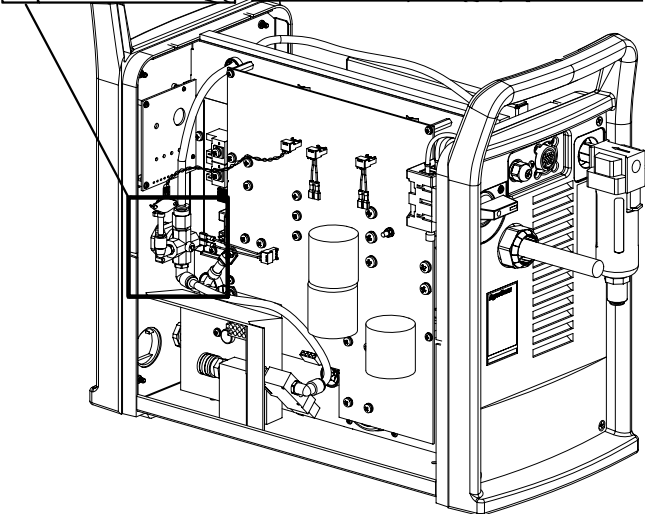
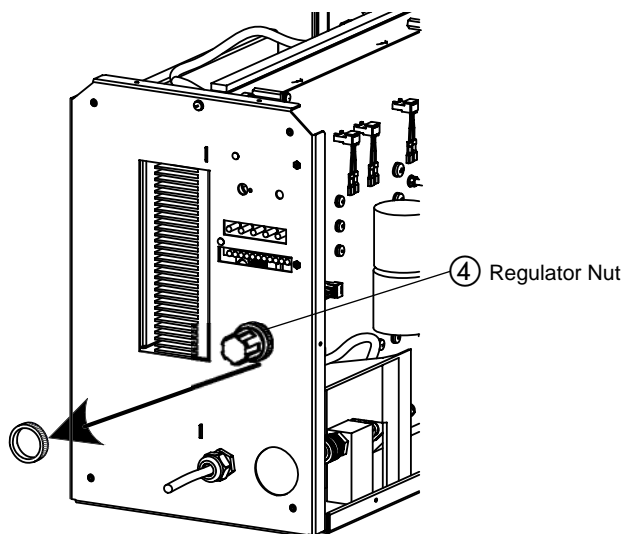
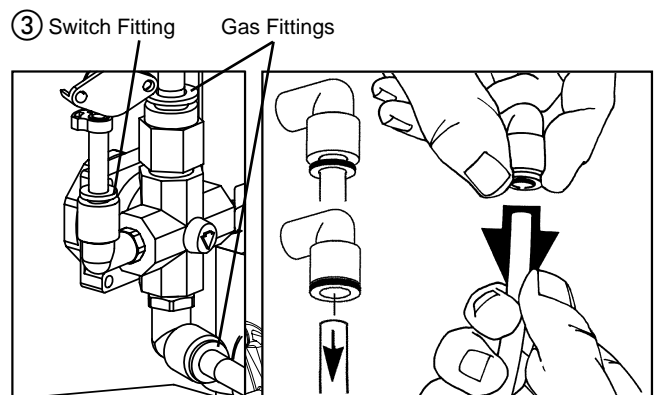
Disconnect power from power supply and remove torch lead.
See *Section 3* of the Owner Manual.

Remove old regulator

- ① Remove cover from power supply.
Remove screws (12) and lift cover off.
- ② Remove front end cap.
 - a - Turn current adjustment knob counterclockwise until stop, loosen 1/16" allen screws (2) on knob and remove knob.
 - b - Remove endcap Screws (4). Pull endcap off.

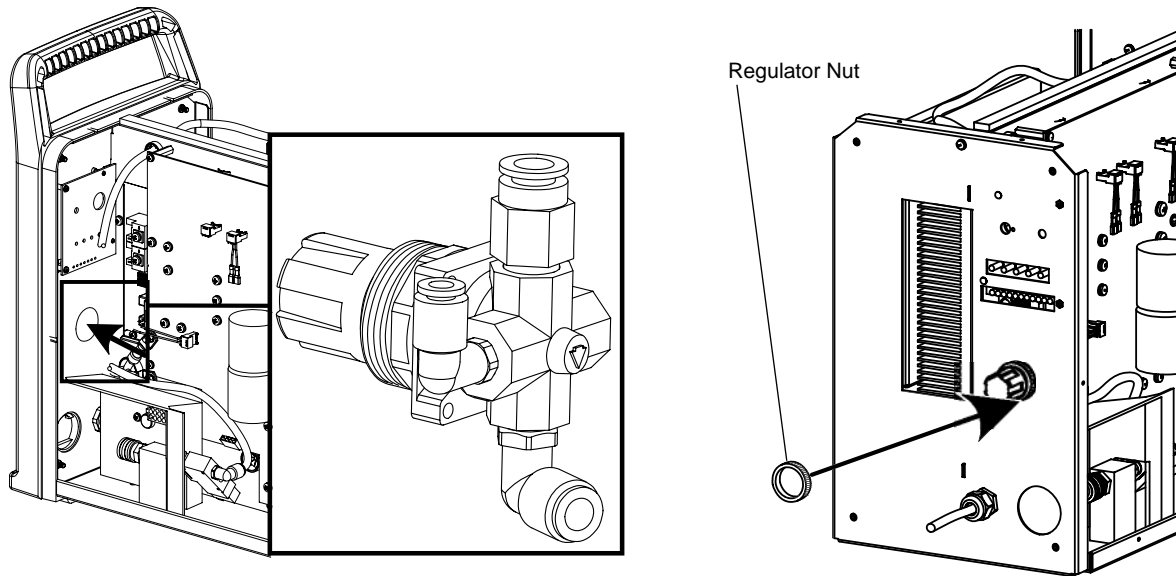


- ③ Disconnect gas hose and switch compression fittings (3). Compress the hose fitting collar and pull the gas hose from fitting.
- ④ Remove nut from regulator, and remove regulator.

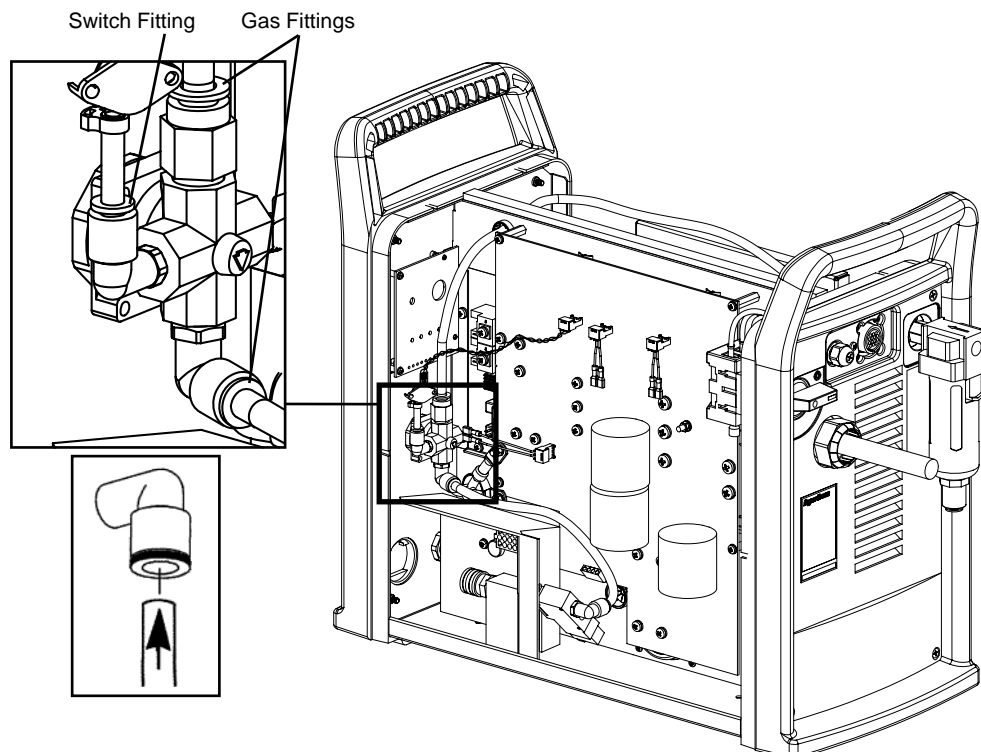


Install new regulator

- ① Remove nut from new regulator and insert through front panel as shown below. Secure with nut.



- ② Install switch and gas hoses. Push hose into compression fitting until fully seated. Pull back firmly on hose to make sure it is fully installed.



REGULATOR REPLACEMENT

Install Endcap

- ① Slide endcap onto power supply.
- ② Tighten endcap screws (4).
- ③ Replace Current adjustment knob. Align white line on knob with Gas Test line on face of machine. Make sure the two lines match-up when the knob is turned counterclockwise until stop. Tighten allen screws.
Note: After tightening allen screws turn knob left until stop and make sure the lines still match-up.
- ④ Slide cover over power supply and replace screws (12).
- ⑤ Attach torch lead to power supply.

