

041349 replacement HD2070/HD3070

Field Service Bulletin

805490 – Revision 0 – April, 2008

Hypertherm®



DANGER
ELECTRICAL SHOCK CAN KILL

Turn OFF all power to the plasma system. In the U.S., use a "lock-out/tag-out" procedure until installation or repair is complete. In other countries, follow appropriate national or local safety procedures. See the *Safety Section* of the system Manual for more safety precautions.

Introduction

This field service bulletin describes how to replace the 041349 power source in an HD2070 or HD3070 power supply.

Tools and materials needed

#2 Phillips Head Screwdriver

Kit contents

Part number	Description	Quantity
141009	Power source: 12 volt, 40 watts	1
104355	Bracket: power source 12 volt, 40 watts	1

Install replacement power source

1. Remove the power supply front panel by removing the six (6) screws.
2. Locate the power source (top right). See figure 1 below.
3. Disconnect P1 and P2, and remove the old power source (041349).
4. Install the bracket (104355) for the new power source. See figure 2 below. Note the orientation of the mounting holes and standoffs.
5. Install the new power source, and connect P1 and P2.
6. Reinstall front panel and secure with the six (6) screws.

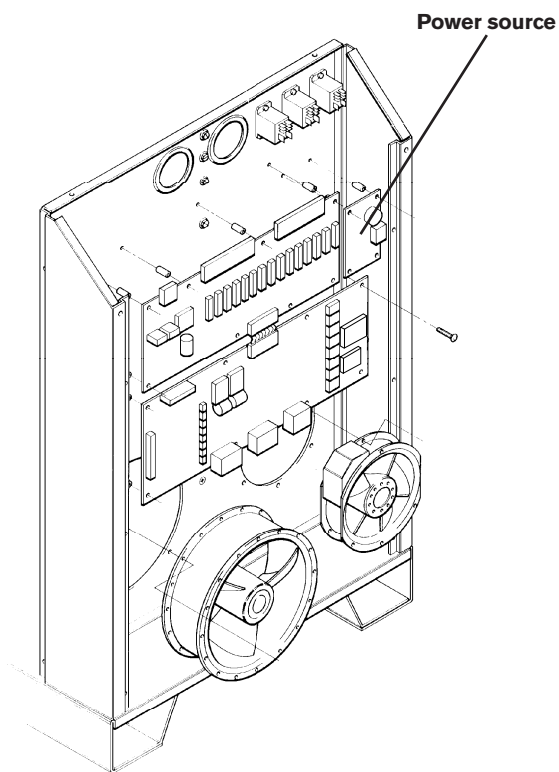


Figure 1 power source location

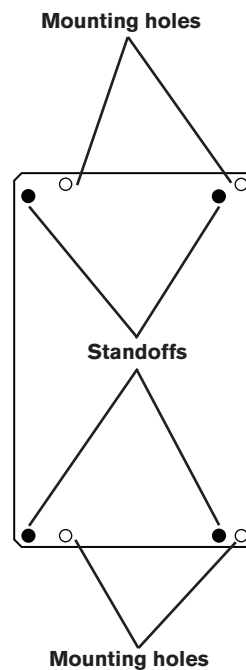


Figure 2 mounting bracket

© 2008 Hypertherm, Inc.
All Rights Reserved

Hypertherm, HD2070, and HD3070 are trademarks of Hypertherm, Inc. and may be registered in the United States and/or other countries.

Hypertherm[®]

Hypertherm, Inc.
Hanover, NH 03755 USA
603-643-3441 Tel

Hypertherm (S) Pte Ltd.
417847, Republic of Singapore
65 6 841 2489 Tel

**Hypertherm (Shanghai)
Trading Co., Ltd.**
PR China 200052
86-21 5258 3330 /1 Tel

Hypertherm Europe B.V.
4704 SE Roosendaal, Nederland
31 165 596907 Tel

HYPERTHERM BRASIL LTDA.
Guarulhos, SP - Brasil
55 11 6409 2636 Tel

www.hypertherm.com