

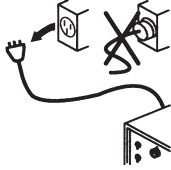


Firmware Upgrade Command[®] THC


Field Service Bulletin

806300 – Revision 0 – March, 2009

Hypertherm[®]

		DANGER ELECTRIC SHOCK CAN KILL
 <div style="margin-left: 20px;"> <p>Disconnect electrical power before performing any maintenance. See the safety section of the Command THC Manual for more safety precautions.</p> </div>		

Caution: Static electricity can damage circuit boards. Use a grounded wrist strap when handling PC boards



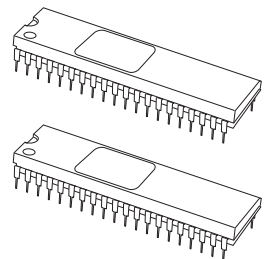
Introduction

Purpose

This field service bulletin gives the information necessary to upgrade the firmware chips located on the control PCB in the THC control module.

Kit contents

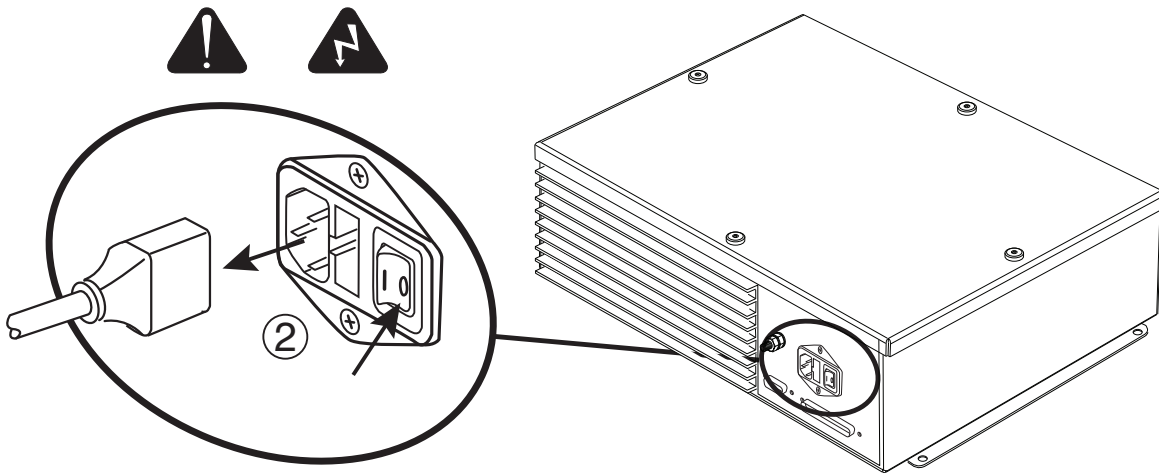
Part number	Description	Qty
081061	Firmware: Real time microprocessor	1
081062	Firmware: Interface microprocessor	1



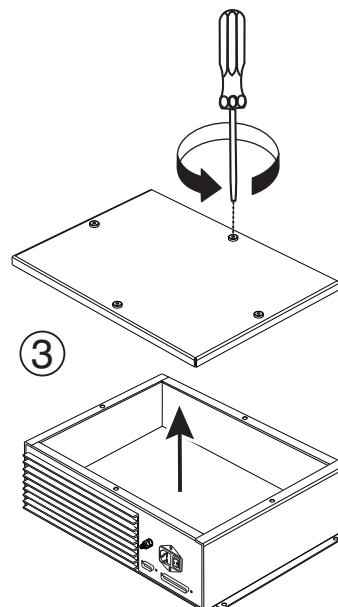
Note: If the control board in the THC control module is part number 041507, it must be replaced. The new firmware will not work with the older control board.

Procedure

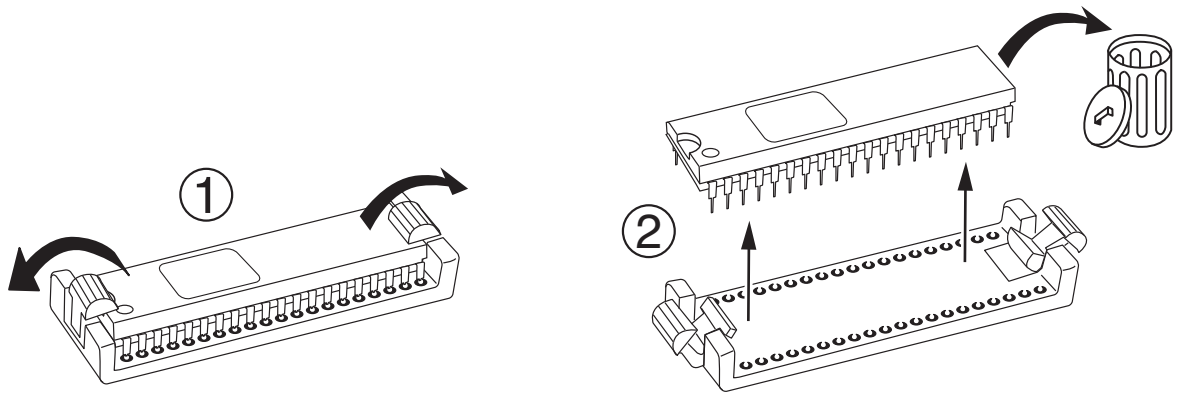
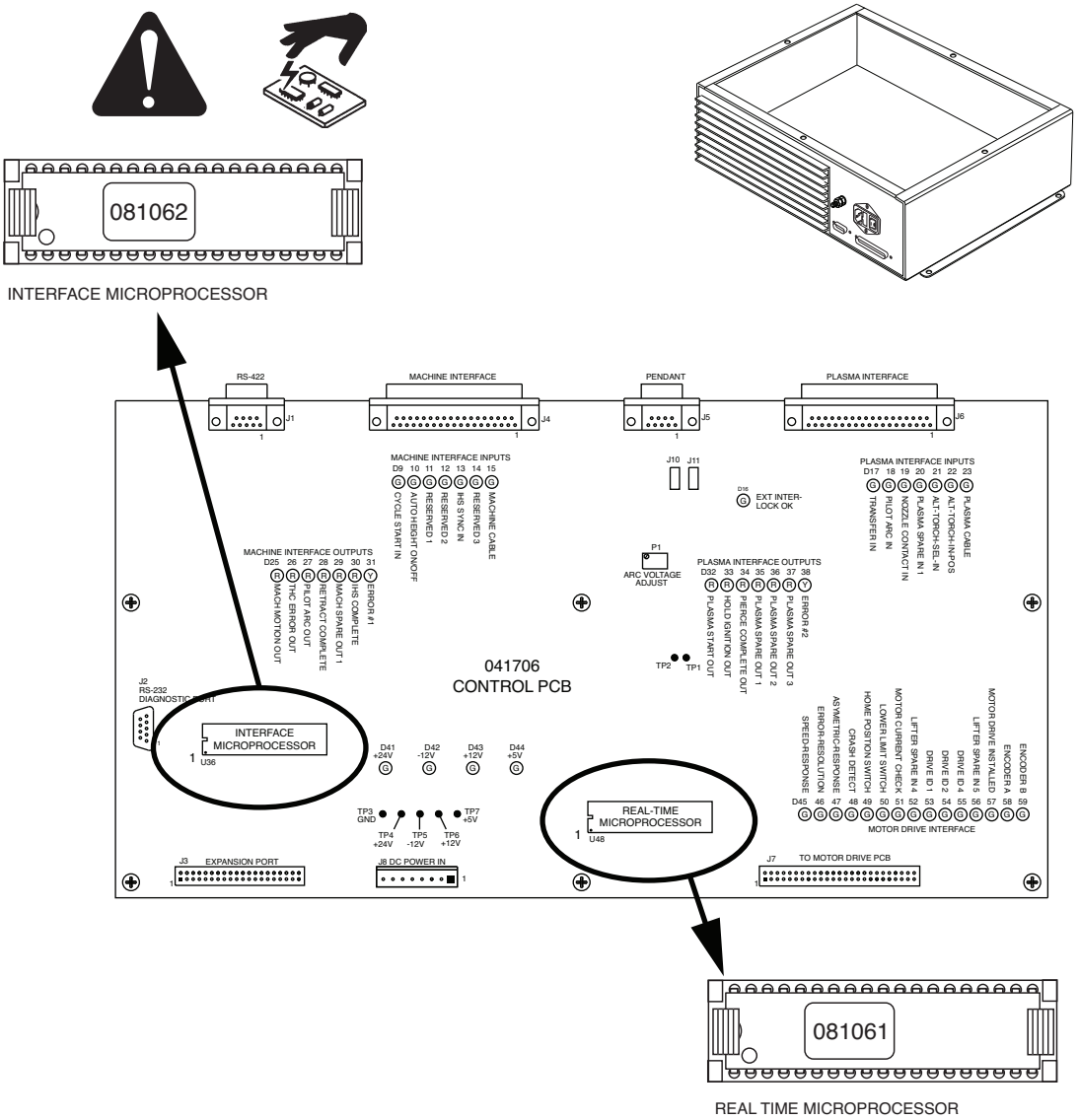
1. Turn off the power to the plasma power supply.
2. Turn off the power to the THC system and remove the power cord.



3. Remove the THC control module cover.

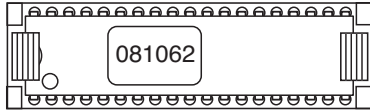
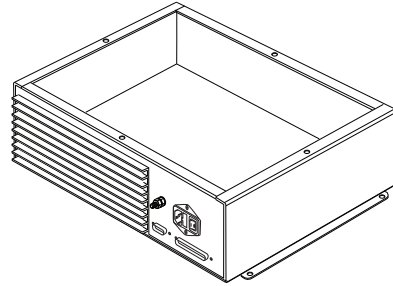


4. Remove and discard the 2 microprocessors from the control PCB.

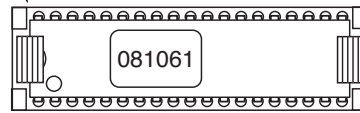
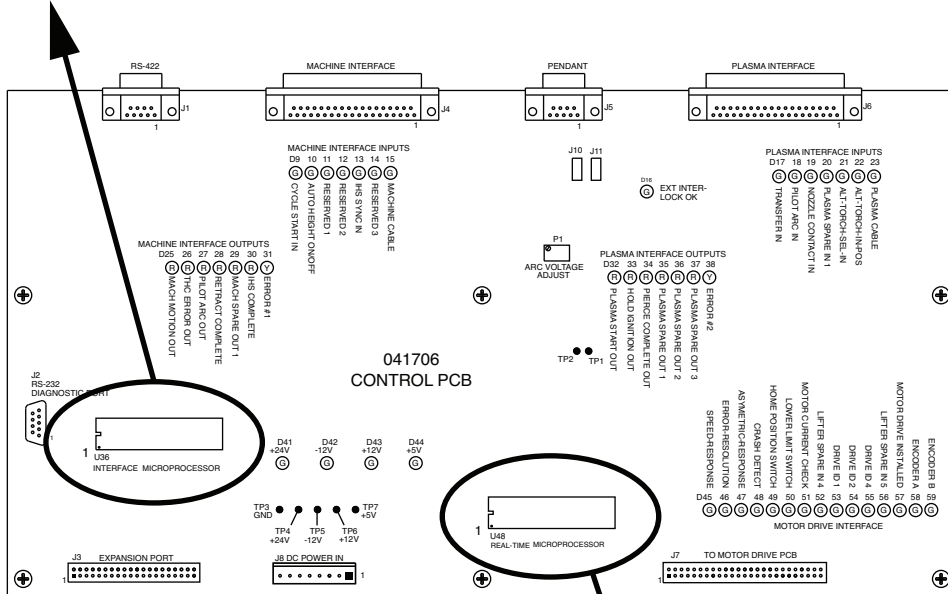


COMMAND THC FIRMWARE UPGRADE

5. Install the new microprocessors into the control PCB.

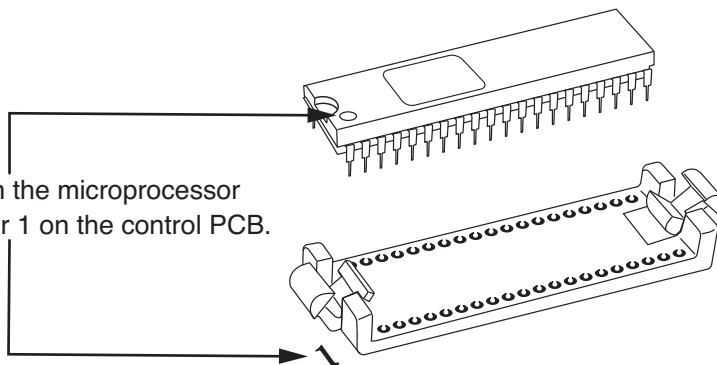


INTERFACE MICROPROCESSOR

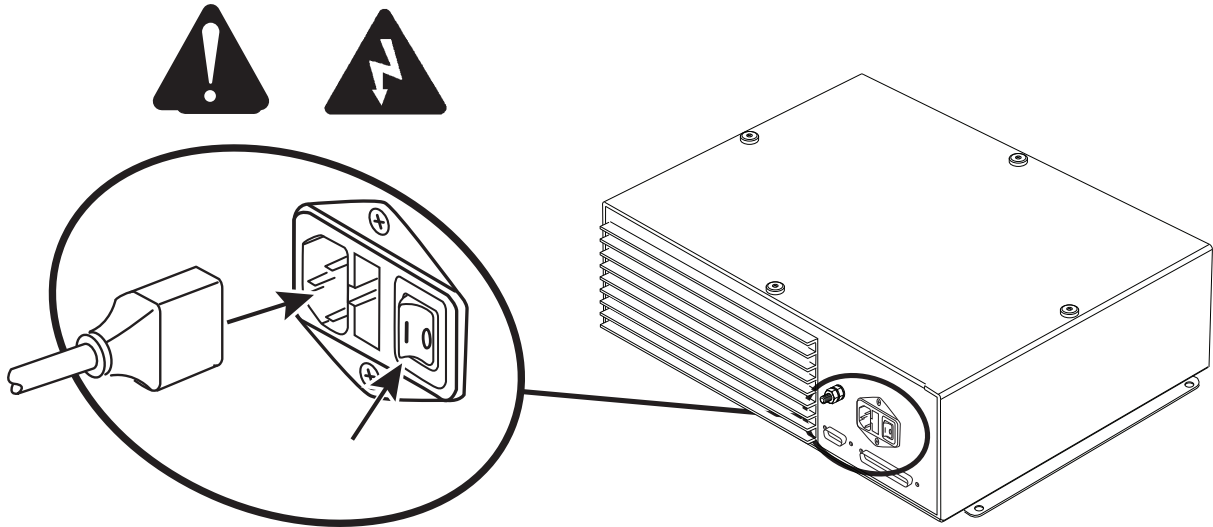


REAL TIME MICROPROCESSOR

Align the dot on the microprocessor with the number 1 on the control PCB.



6. Replace the power cord to the THC control module.
7. Turn on the power to the THC.
8. Turn on the power to the plasma power supply.



9. An error message (check sum fail) will appear on the pendant when the power is turned on for the first time. Press shift/H to continue. It may be necessary to turn the power to the THC and CNC controller off and then on again to clear the error if the system does not have a pendant.

© Copyright 2009 Hypertherm, Inc.

All Rights Reserved

Tous droits réservés

Hypertherm and Command THC are trademarks of Hypertherm, Inc. and may be registered in the United States and/or other countries.

Hypertherm et Command THC sont des marques de commerce d'Hypertherm, Inc. et peut être déposée aux États-Unis et/ou dans d'autres pays.

Hypertherm[®]

Hypertherm, Inc.

Hanover, NH 03755 USA
603-643-3441 Tel

Hypertherm (S) Pte Ltd.

417847, Republic of Singapore
65 6 841 2489 Tel

**Hypertherm (Shanghai)
Trading Co., Ltd.**

PR China 200052
86-21 5258 3330 /1 Tel

Hypertherm Europe B.V.

4704 SE Roosendaal, Nederland
31 165 596907 Tel

HYPERTHERM BRASIL LTDA.

Guarulhos, SP - Brasil
55 11 6409 2636 Tel

www.hypertherm.com