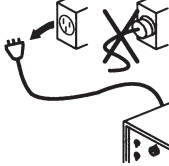
	<p><b>DANGER</b> <b>ELECTRIC SHOCK CAN KILL</b></p>
		

**Disconnect electrical power before performing any maintenance.  
See the safety section of the system Manual for more safety precautions.**

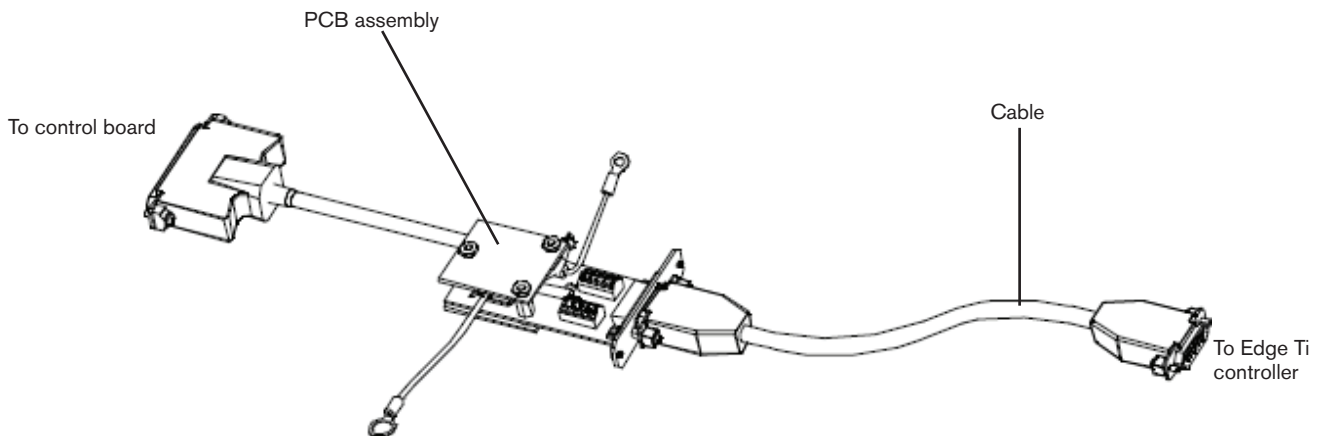
## Introduction

### Purpose

This field service bulletin enables a trained technician to properly install and connect the HSD130 plasma system and a Edge Ti Controller using the Plasma Interface Kit.

### Kit contents

Part number	Description	Qty
228247	Plasma interface kit with 7.5 m (25') cable	1
228248	Plasma interface kit with 15 m (50') cable	1



# PLASMA INTERFACE KIT FOR HSD130 AND EDGE TI

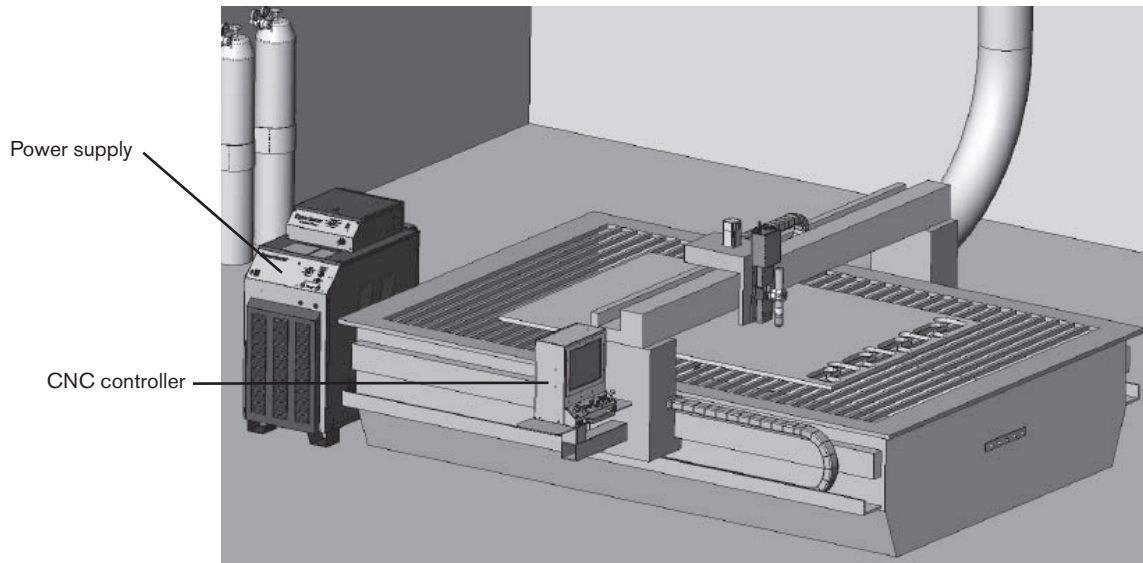
---

## Overview

The Plasma Interface Kit combines the I/O communications between the **PHC control module** and the HSD130 with the Arc Voltage signal from the Power Supply. This design allows the user to use 1, plug-in cable between the **PHC** and the HSD power supply

Notes: See the HSD130 instruction manual for all other cable connections. Initial height sensing and torch height control while cutting are controlled by the **PHC**.

1. Locate the HSD power supply and the CNC controller.



2. Turn OFF the power, and remove the right and left side panels from the power supply.

