

PAC100

Torch Repair Instructions

801210 - Rev. 0



PAC100

Torch Repair Instructions

IM-121
(P/N 801210)

Revision 0 October 1990

Hypertherm, Inc.
P.O. Box A-10 Etna Road
Hanover, New Hampshire 03755
(603) 643-3441

© Hypertherm, Inc., 1990
All Rights Reserved

Hypertherm Offices Worldwide:

Hypertherm, Inc.

Etna Road, P.O. Box 5010
Hanover, NH 03755 USA
Tel.: (603) 643-3441 (Main Office)
Fax: (603) 643-5352 (All Departments)
Tel.: (800) 643-9878 (Technical Service – toll-free in USA and Canada)
Tel.: (800) 737-2978 (Customer Service – toll-free in USA and Canada)
email: info@hypertherm.com (General Information)
email: service@hypertherm.com (Technical/Customer Services)

Hypertherm Plasmatechnik GmbH

Technologiepark Hanau
Rodenbacher Chaussee 6
D-63457 Hanau-Wolfgang, Germany
Tel.: 49 6181 58 2100
Fax: 49 6181 58 2134

Hypertherm (S) Pte Ltd

No. 19 Kaki Bukit Road 2
K.B. Warehouse Complex
Singapore 417847
Tel.: 65 841 2489
Fax: 65 841 2490

Hypertherm UK Ltd

9 Berkeley Court, Manor Park
Runcorn, Cheshire, England WA7 1TQ
Tel.: 44 1928 579 074
Fax: 44 1928 579 604

France

15 Impasse des Rosiers
95610 Eragny, France
Tel.: 33 1 30 37 15 28
Fax: 33 1 30 37 15 79

Hypertherm S.r.L.

Via Torino 2
20123 Milan, Italy
Tel.: 39 02 725 46 312 (Customer Service)
Tel.: 39 02 725 46 314 (Technical Service)
Fax: 39 02 725 46 400 (All Departments)

Hypertherm B.V.

Burg, Haverkampstraat 13
7091 CN Dinxperlo, The Netherlands
Tel.: 31 315 655 866 (Customer Service)
Fax: 31 315 655 886

European Technical Support Organization (ETSO)

Edisonstraat 12
3281 NC Numansdorp, The Netherlands
Tel.: 00 800 4973 7843 (00 800 Hypertherm) – (toll-free Technical Service)
Tel.: 31 186 659494
Fax: 31 186 659495

Japan

Shinjuku Park Tower
30th Floor
3-7-1 Nishi-Shinjuku
Shinjuku-ku, Tokyo
163-1030, Japan
Tel.: 81 03 5326 3142
Fax: 81 03 5326 3001

PAC100 TORCH REPAIR INSTRUCTIONS

Purpose

The PAC100 torch repair instructions provide the necessary information to allow a person to remove the existing torch main body from the torch assembly and replace it with the a new PAC100/110 torch main body.

Customer Supplied Tools

#1 Phillips head screwdriver
7/16" open-end wrench
Wire cutters
Sta-kon crimping tool

PAC100/110 Torch Repair Kit (# 028482)

Torch main body assembly, # 020588
Tyrap (1), # 074005

Procedure

Remove Torch Main Body

To remove the existing torch main body, refer to the procedure below and Figure 1. Note that the callouts on the figure correspond to the step numbers below.

1. Remove the five (5) screws holding the handle halves together.
2. Remove the torch main body and torch switch from the handle halves.
3. Cut the blue wire and and the black switch wire which connect to the microswitch. Cut at the top of the shrink tubing.
4. Cut the red wire at the pilot arc fitting.
5. Cut the two (2) black wires at the butt splice which connects to the plunger (black wire).
6. Disconnect the torch main body and torch lead gas fittings using the 7/16 inch open-end wrench.

Install PAC100/110 Torch Repair Kit

To install the torch repair kit, refer to the following procedure and Figure 2. Note that the callouts on the figure correspond to the step numbers. Ensure that all the required crimp connections in steps 2 through 4 make good electrical contact.

1. Connect the torch main body assembly (# 020588) and torch lead gas fitting using the 7/16 inch open-wrench.

PAC100 TORCH REPAIR INSTRUCTIONS

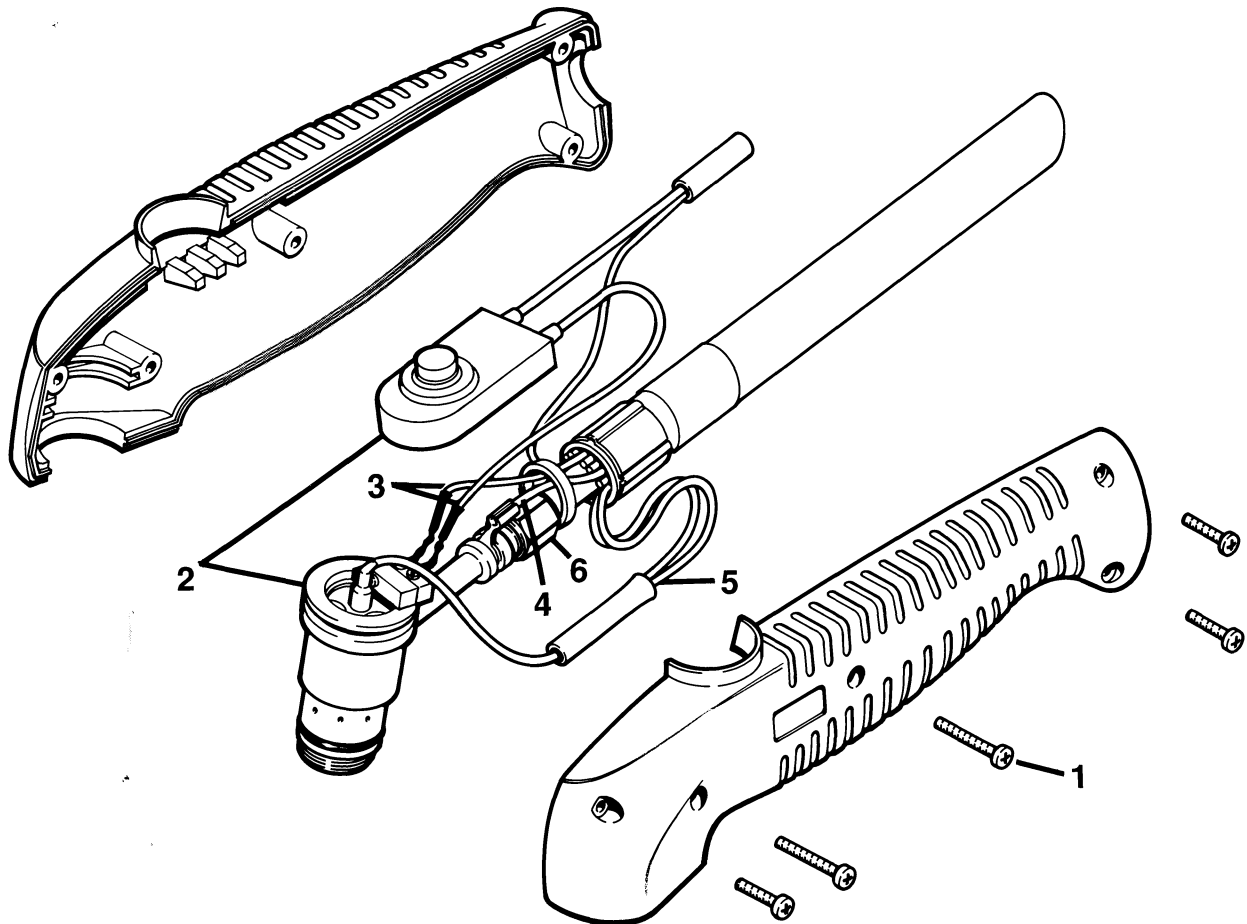


Figure 1 PAC100 Torch Main Body Removal

2. Connect the red wire from the torch lead to the butt splice connecting the red wire to the pilot arc fitting using the Sta-kon crimping tool.
3. Connect the blue wire from the torch lead and the black wire from the torch switch to the butt splices connecting the white wires to microswitch using the Sta-kon crimping tool.
4. Connect the two (2) black wires from the torch lead to the butt splice connecting the black plunger wire to the torch main body using the Sta-kon crimping tool.

PAC100 TORCH REPAIR INSTRUCTIONS

5. Connect the Tyrap as shown.
6. Install the torch main body assembly and torch switch into one of the handle halves. While positioning the handle halves together, be careful not to pinch any wires. Be especially careful around the torch switch retainers.
7. Replace the five (5) screws to secure the handle halves together.

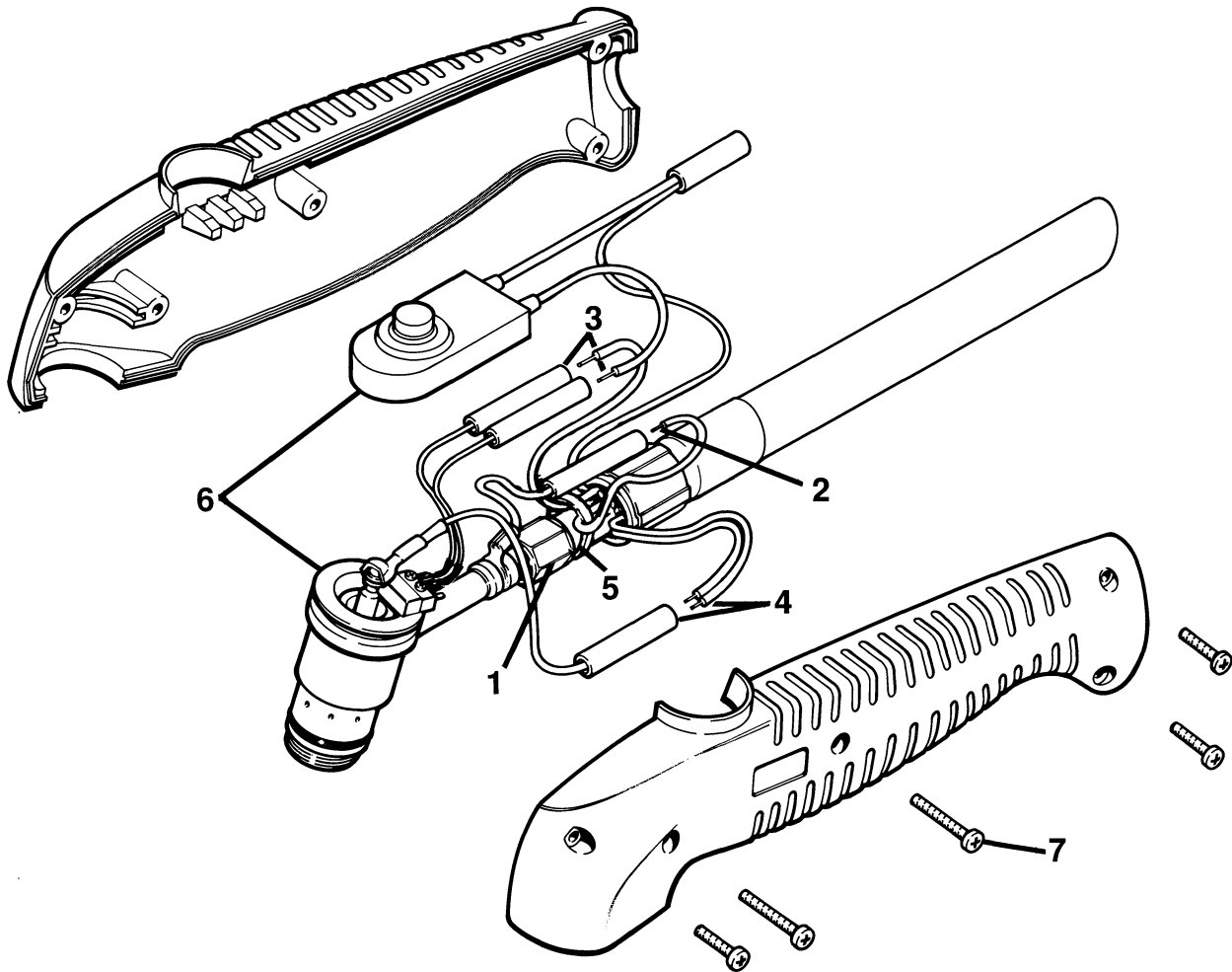


Figure 2 PAC100/110 Torch Repair Kit Installation