

Hypertherm®

HylIntensity™ Fiber Laser

Consumables

Nozzles

All of the Hypertherm fiber laser nozzles are designed for robustness and reliability. Chrome plating maximizes durability, reduces spatter adhesion, and affords stable height sensing. All nozzles incorporate a centering feature to allow easy nozzle changes and alignment. Single nozzles are used for thin material, stainless, and aluminum cutting while the dual nozzles improve surface quality on oxygen assisted mild steel cutting. Nozzle diameters range from 1 mm to 3 mm to cover the entire thickness range.



Lenses

Lenses for the HylIntensity Fiber Laser system are made from high-quality fused silica* and coated with an anti-reflection film at the fiber laser wavelength to maximize cutting intensity. Unlike zinc selenide CO₂ optics, the fused silica material can operate at higher temperatures without suffering from thermal runaway while enabling longer life. The fiber laser beam properties allow efficient processing of the material thickness range with a single focal length, eliminating the need for material thickness dependent lens changes.



* Fused silica is not a non-hazardous material

Consumables

Lens

021105	Fiber laser lens – 150 mm EFL / 35 mm OD
228859	Fiber laser lens assembly with lens – 150 mm EFL/35 mm OD

Standard nozzles (optimized flow properties for enhanced stainless steel and aluminum cutting)

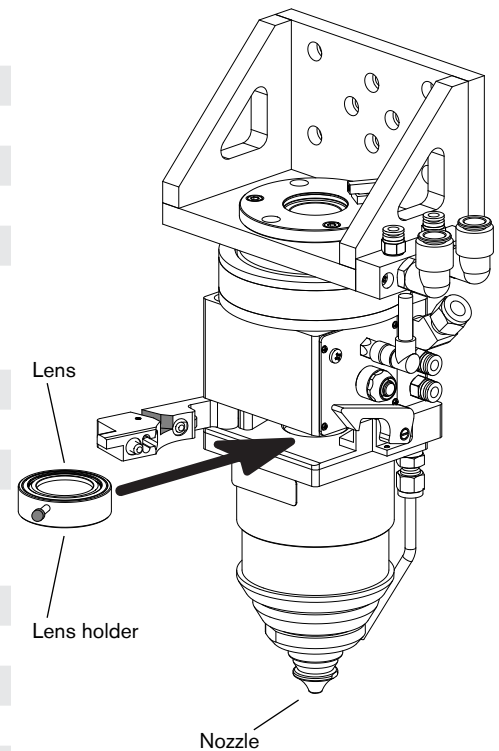
021096	Fiber laser standard nozzle – 1.0 mm
021097	Fiber laser standard nozzle – 1.2 mm
021098	Fiber laser standard nozzle – 1.5 mm
021099	Fiber laser standard nozzle – 2.0 mm
021100	Fiber laser standard nozzle – 2.5 mm
021101	Fiber laser standard nozzle – 3.0 mm

Dual nozzles (optimized flow properties for enhanced mild steel cutting)

021102	Fiber laser dual nozzle – 1.2 mm
021103	Fiber laser dual nozzle – 1.5 mm
021104	Fiber laser dual nozzle – 2.0 mm
021106	Fiber laser dual nozzle – 2.5 mm

Replacement parts

104516	Fiber laser nozzle adapter
104517	Fiber laser nozzle adapter washer
027991	Fiber laser lens cleaning wipes
104641	Fiber laser – cleaning fixture (focusing lens)
021108	Lens window – 35 mm OD X 1.5 mm
026910	Fiber laser silicon o-ring – 35 mm X 2 mm
127275	Fiber laser seal – 1.875" OD VARISEAL
228615	Fiber laser lens holder assembly – 150 mm EFL – STD
127293	Fiber laser lens spring – (to be used without lens window)
104519	Fiber laser lens washer – (to be used without lens window)
127359	Fiber laser lens spring – (to be used with lens window)
104656	Fiber laser lens washer – (to be used with lens window)



Through a solutions approach, Hypertherm makes it easier for partners and their customers to apply laser cutting technology for fine feature cutting requirements.

Hypertherm®

Cut with confidence®

Hypertherm, and HylIntensity are trademarks of Hypertherm, Inc. and may be registered in the United States and or other countries.

www.hypertherm.com.

© 1/2013 Hypertherm, Inc. Revision 1
881340