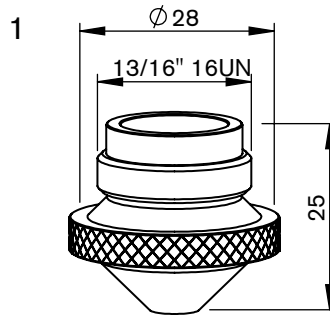

Consumables

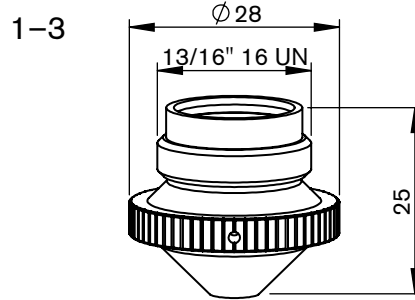
	Centricut part number	Esse A part number	Reference number	Description	Pkg qty
1	PT311-1146	AL130/S	281146, P0380-211-00001, 29100033	PT-Nozzle holder ITM 1.5" DZ	1
	PT311-1146OEM	AL130	281146, P0380-211-00001, 29100033	PT-Nozzle holder ITM 1.5" DZ OEM	1
2	PT311-0298	AL298	P0497-68871, P0497-615-00001	PT-Nozzle holder KTM 1.5" DXN, Ceramic	1
3	LV332-1993V	L20757	D5241993	LV-Nozzle cylindrical, 0.8 mm (5 pk)*	5
	LV332-5470V	L20141	D7945470	LV-Nozzle cylindrical, 1.0 mm (5 pk)*	5
	LV332-0001V	L20758	D5241982	LV-Nozzle cylindrical, 1.2 mm (5 pk)*	5
	LV332-5434V	L20142	D7945434	LV-Nozzle cylindrical, 1.5 mm (5 pk)*	5
	LV332-5452V	L20143	D7945452	LV-Nozzle cylindrical, 2.0 mm (5 pk)*	5
	LV332-5517V	L20144	D7945517	LV-Nozzle cylindrical, 2.5 mm (5 pk)*	5
	LV332-5518V	L20145		LV-Nozzle cylindrical, 3.0 mm (5 pk)*	5
	LV332-1993CPV	L20757X	D5241993	LV-Nozzle cylindrical, 0.8 mm CP (5 pk)	5
	LV332-5470CPV	L20141X	D7945470	LV-Nozzle cylindrical, 1.0 mm CP (5 pk)*	5
	LV332-0001CPV	L20758X	D5241982	LV-Nozzle cylindrical, 1.2 mm CP (5 pk)*	5
	LV332-5434CPV	L20142X	D7945434	LV-Nozzle cylindrical, 1.5 mm CP (5 pk)*	5
	LV332-5452CPV	L20143X	D7945452	LV-Nozzle cylindrical, 2.0 mm CP (5 pk)*	5
	LV332-5517CPV	L20144X	D7945517	LV-Nozzle cylindrical, 2.5 mm CP (5 pk)	5
	LV332-5518CPV	L20145X		LV-Nozzle cylindrical, 3.0 mm CP (5 pk)*	5
4	PT347-4297	AL198	P0492-702-00001, 29100021	PT-Insulating ring outer body	1
	PT311-0001	AL201	P0492-702-00002	PT-Insulating ring	1
5	PT347-0101	AL204	P0360-100-00500, 46713300100	PT-Sensor head connecting cable OEM	1
	AM326-6453 (not shown)	AL94	71366453	AM-O-ring for outer nozzle	1

* Centricut parts available in single packs. To order single packs, remove the 'V' at the end of the part number (e.g. LV123-4567V would be LV123-4567).
 For Esse A parts available in single packs. To order single packs, remove the '20' after the L in the part number (e.g. L20757 would be L757).


Consumables

	Centricut part number	Esse A part number	Reference number	Description	Pkg qty
	LV332-1863V	L20151	D5241863	LV-Nozzle conical HD, 1.0 mm (5 pk)*	5
	LV332-1982V	L20759		LV-Nozzle conical HD, 1.2 mm (5 pk)*	5
	LV332-1862V	L20152	D5241862	LV-Nozzle conical HD, 1.5 mm (5 pk)*	5
	LV332-2512V	L20748	D5242512	LV-Nozzle conical HD, 1.7 mm (5 pk)*	5
	LV332-1855V	L20146	D5241855	LV-Nozzle conical HD, 2.0 mm (5 pk)*	5
	LV332-2513V	L20749	D5242513, Z000000539D	LV-Nozzle conical HD, 2.3 mm (5 pk)*	5
	LV332-1856V	L20147	D5241856, Z000000563B	LV-Nozzle conical HD, 2.5 mm (5 pk)*	5
	LV332-1857V	L20148	D5241857, Z000000540B	LV-Nozzle conical HD, 3.0 mm (5 pk)*	5
	LV332-1877V	L20149	D5241877, Z000000564B	LV-Nozzle conical HD, 3.5 mm (5 pk)*	5
	LV332-1878V	L20283	D5241878, Z000000565B	LV-Nozzle conical HD, 4.0 mm (5 pk)*	5
	LV332-2531V	L201303	D5242531, Z000000566B	LV-Nozzle conical HD, 4.5 mm (5 pk)*	5
1	LV332-2535V	L201304	D5242535, Z000000567B	LV-Nozzle conical HD, 5.0 mm (5 pk)*	5
	LV332-2536V	L201305	D5242536, Z000000568B	LV-Nozzle conical HD, 6.0 mm (5 pk)*	5
	LV332-1863CPV	L20151X	D5241863	LV-Nozzle conical HD, 1.0 mm CP (5 pk)	5
	LV332-1982CPV	L20759X		LV-Nozzle conical HD, 1.2 mm CP (5 pk)	5
	LV332-1862CPV	L20152X	D5241862	LV-Nozzle conical HD, 1.5 mm CP (5 pk)*	5
	LV332-2512CPV	L20748X	D5242512	LV-Nozzle conical HD, 1.7 mm CP (5 pk)	5
	LV332-1855CPV	L20146X	D5241855	LV-Nozzle conical HD, 2.0 mm CP (5 pk)*	5
	LV332-2513CPV	L20749X	D5242513	LV-Nozzle conical HD, 2.3 mm CP (5 pk)*	5
	LV332-1856CPV	L20147X	D5241856, Z000000563B	LV-Nozzle conical HD, 2.5 mm CP (5 pk)*	5
	LV332-1857CPV	L20148X	D5241857, Z000000540	LV-Nozzle conical HD, 3.0 mm CP (5 pk)*	5
	LV332-1877CPV	L20149X	D5241877	LV-Nozzle conical HD, 3.5 mm CP (5 pk)	5
	LV332-1878CPV	L20283X	D5241878	LV-Nozzle conical HD, 4.0 mm CP (5 pk)	5

* Centricut parts available in single packs. To order single packs, remove the 'V' at the end of the part number (e.g. LV123-4567V would be LV123-4567).
 For Esse A parts available in single packs. To order single packs, remove the '20' after the L in the part number (e.g. L20757 would be L757).


Consumables

	Centricut part number	Esse A part number	Reference number	Description	Pkg qty
1	LV332-3013	L1293	G8040182	LV-Nozzle double w/spring, 3.0 mm/inner 1.3 mm	1
	LV332-3015	L1294		LV-Nozzle double w/spring, 3.0 mm/inner 1.5 mm	1
	LV332-0132	L1292	G8040132	LV-Nozzle double w/spring, 3.0 mm/inner 2.0 mm	1
	LV332-0013CP	L1290X	G8040180	LV-Nozzle double w/spring, 2.5 mm/inner 1.3 mm CP	1
	LV332-0180CP	L1291X	G8040135	LV-Nozzle double w/spring, 2.5 mm/inner 1.5 mm CP	1
2	LV417-0002	L782	29100307	LV-Nozzle double, 1.2 mm	1
	LV417-0003	L784	29100304	LV-Nozzle double, 1.5 mm	1
	LV417-0004	L785	29100307	LV-Nozzle double, 2.0 mm	1
	LV410-0180	L786	29100305D	LV-Nozzle double, 2.5 mm	1
	LV417-0006	L787	29100306	LV-Nozzle double, 3.0 mm	1
	LV417-0008	L789		LV-Nozzle double, 4.0 mm	1
	LV417-0003CP	L784X		LV-Nozzle double, 1.5 mm CP	1
	LV417-0004CP	L785X		LV-Nozzle double, 2.0 mm CP	1
	LV417-0005CP	L786X		LV-Nozzle double, 2.5 mm CP	1
3	LV332-1297	L885	Z000001297	LV-Nozzle double, 4.0 mm/inner 2.0 mm	1
	LV332-1344	L886	Z000001344	LV-Nozzle double, 5.0 mm/inner 2.0 mm	1
	LV332-0131	L790	G8040131	LV-Nozzle double, 3.0 mm/inner 2.0 mm	1