

Hypertherm®

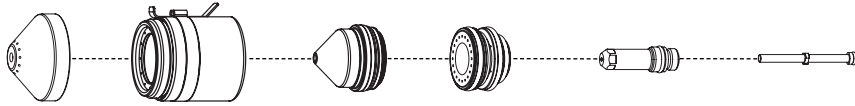
HyPro2000™ upgrade torch

For HT2000



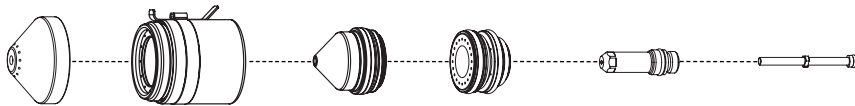
Consumables

O₂ – Mild steel



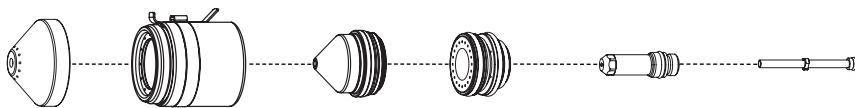
	Shield	Shield cap	Nozzle	Swirl ring	Electrode	SilverPlus	Water tube
50 A	220532	220936 220935 without tab	220891	220529	220528		220521
130 A	220491	220936 220935 without tab	220893	220488	220487	420185	220521
200 A	220832	220936 220935 without tab	220831	220834	220937	220925	220521

Air – Mild steel/Stainless steel/Aluminum



	Shield	Shield cap	Nozzle	Swirl ring	Electrode	Water tube
50 A	220532	220936 220935 without tab	220890	220529	220528	220521
130 A	220536	220936 220935 without tab	220892	220488	220487	220521
200 A	420045	220936 220935 without tab	420044	220488	220937	220521

N₂ – Stainless steel/Aluminum



	Shield	Shield cap	Nozzle	Swirl ring	Electrode	Water tube
200 A	420045	220936 220935 without tab	420044	220529	020415	220521



HyPro2000 straight torch



HyPro2000 quick-disconnect torch

TECHNOLOGIES

- Chambered swirl ring**
- Conical Flow™**
- CoolFlow™**
- LongLife®**
- SilverPlus®**
- TrueFlow™**
- Vented shield**
- HyLife®**

HyPro2000™

Torch assembly options

Standard leads – RHF

Lead length	Part number
3 m	028657
4,6 m	028658
6,1 m	028659
7,6 m	028546
9,2 m	028660
10,6 m	028661
12,2 m	028662
13,7 m	028663
15,3 m	028547
16,8 m	028767
18,3 m	028768

Standard leads – LHF

Lead length	Part number
3 m	028657
4,6 m	028658
6,1 m	028659
7,6 m	028546
9,2 m	028660
10,6 m	028661
12,2 m	028662
13,7 m	028663

Mounting sleeves

Description	Length	Diameter	Part number
Standard	279,4 mm	50,8 mm	220943
Standard	279,4 mm	44,45 mm	220942

Quick-disconnect receptacle

220913

HyPro2000 Quick-disconnect torch

220921

Torch upgrade kits – HyPro2000 (Systems prior to 2003)

228549

RHF serial number 2000-06450 and below
LHF serial number 2lhf2000-000580 and below.

Includes: control board, machine torch (loaded with consumables), quick-disconnect receptacle, mounting sleeves (50,8 mm and 44,45 mm), 200 A O₂ shield, 200 A O₂ shield cap, 200 A O₂ nozzles, 200 A O₂ swirl ring, 200 A O₂ SilverPlus electrodes, 200 A O₂ copper electrodes, silicon lubricant for o-rings, consumable removal tool, chip removal tool, chip upgrade, pressure gage, plastic tube for hoses, hose (609,6 mm), operating manual.

Torch upgrade kits – HyPro2000 (2003 – current systems)

228550

RHF serial number 2000-06451 and above
LHF serial number 2lhf2000-000581 and above.

Includes: machine torch (loaded with consumables), quick-disconnect receptacle, mounting sleeves (50,8 mm and 44,45 mm), 200 A O₂ shield, 200 A O₂ shield cap, 200 A O₂ nozzles, 200 A O₂ swirl ring, 200 A O₂ SilverPlus electrodes, 200 A O₂ copper electrodes, silicon lubricant for o-rings, consumable removal tool, chip removal tool, chip upgrade, pressure gage, plastic tube for hoses, hose (609,6 mm), operating manual.

HyPro2000 for punch presses

220961

Torch upgrade kits – HyPro2000 (Systems prior to 2003)

228778

RHF serial number 2000-06450 and below
LHF serial number 2lhf2000-000580 and below.

Includes: control board, straight torch for punch presses, mounting sleeves (50,8 mm and 44,45 mm), 200 A O₂ shield, 200 A O₂ shield cap, 200 A O₂ nozzles, 200 A O₂ swirl ring, 200 A O₂ SilverPlus electrodes, 200 A O₂ copper electrodes, silicon lubricant for o-rings, consumable removal tool, chip removal tool, chip upgrade, pressure gage, plastic tube for hoses, hose (609,6 mm), operating manual.

Torch upgrade kits – HyPro2000 (2003 – current systems)

228777

RHF serial number 2000-06451 and above
LHF serial number 2lhf2000-000581 and above.

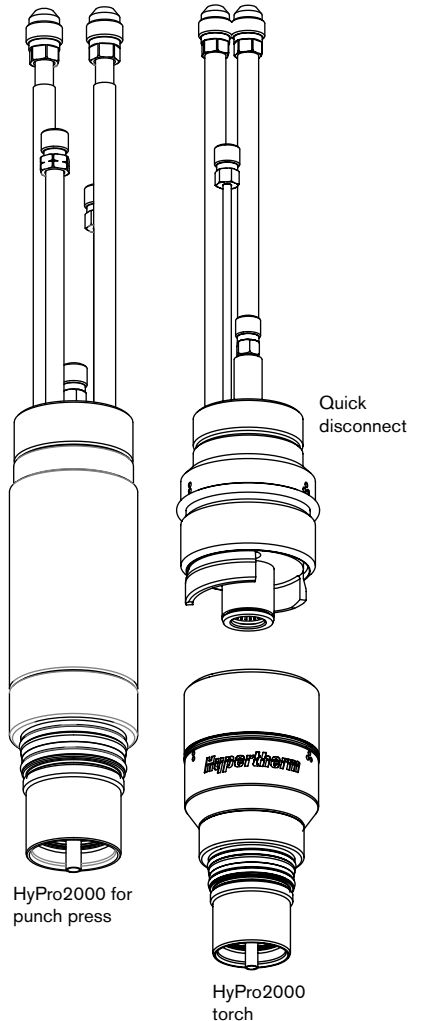
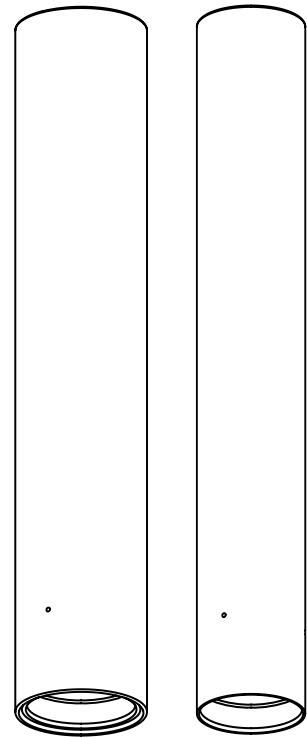
Includes: straight torch for punch presses, mounting sleeves (50,8 mm and 44,45 mm), 200 A O₂ shield, 200 A O₂ shield cap, 200 A O₂ nozzles, 200 A O₂ swirl ring, 200 A O₂ SilverPlus electrodes, 200 A O₂ copper electrodes, silicon lubricant for o-rings, consumable removal tool, chip removal tool, chip upgrade, pressure gage, plastic tube for hoses, hose (609,6 mm), operating manual.

Additional parts available (not shown)

Machine torch (Quick-disconnect torch, set of 200 A consumables)	228557
Chip upgrade (includes 2 chips)	228571
Chip removal tool	027338
Consumables removal tool	104119
Silicon lubricant for o-rings	027055
Consumables kit – O ₂ , 50 A	228772
Consumables kit – Air, 50 A	228773
Consumables kit – O ₂ , 130 A	228770
Consumables kit – Air, 130 A	228771

Mounting sleeve
(50,8 mm outside
diameter)

Mounting sleeve
(44,45 mm outside
diameter)



Hypertherm, HySpeed, Conical Flow, CoolFlow, LongLife, SilverPlus, TrueFlow, HyLife and HyPro2000 are trademarks of Hypertherm, Inc. and may be registered in the United States and/or other countries.

Hypertherm®

www.hypertherm.com