

Arc Writer

**PLASMA MARKING SYSTEM
TORCH PARTS**

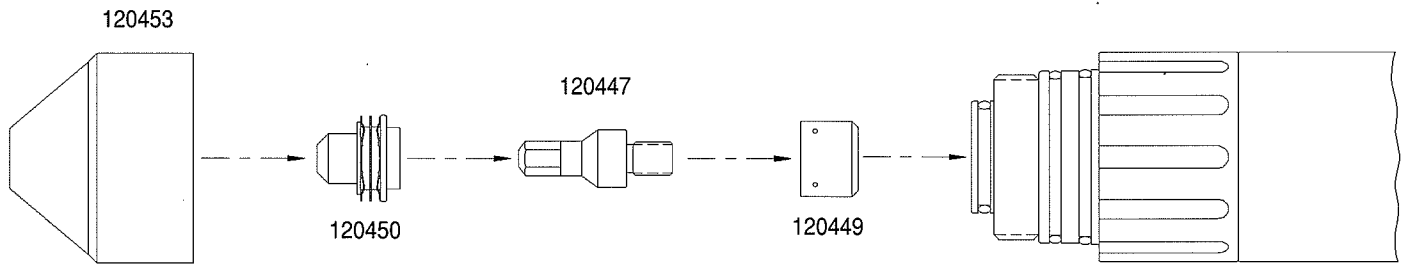


HYPERTHERM IS ISO 9001 REGISTERED

HYPERTHERM®

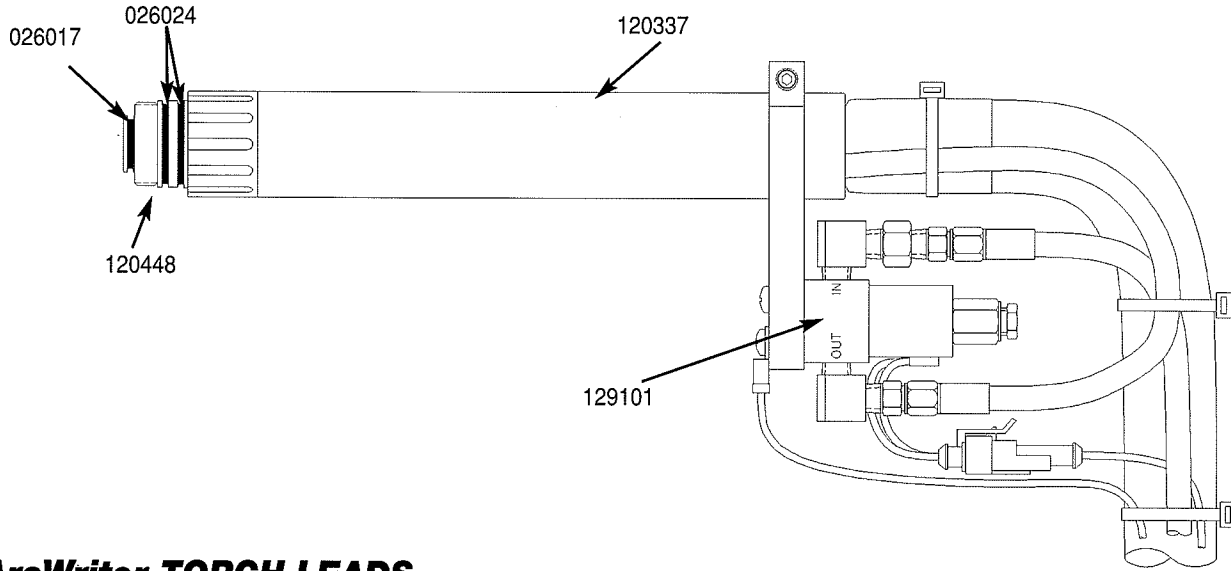
ArcWriter

CONSUMABLES

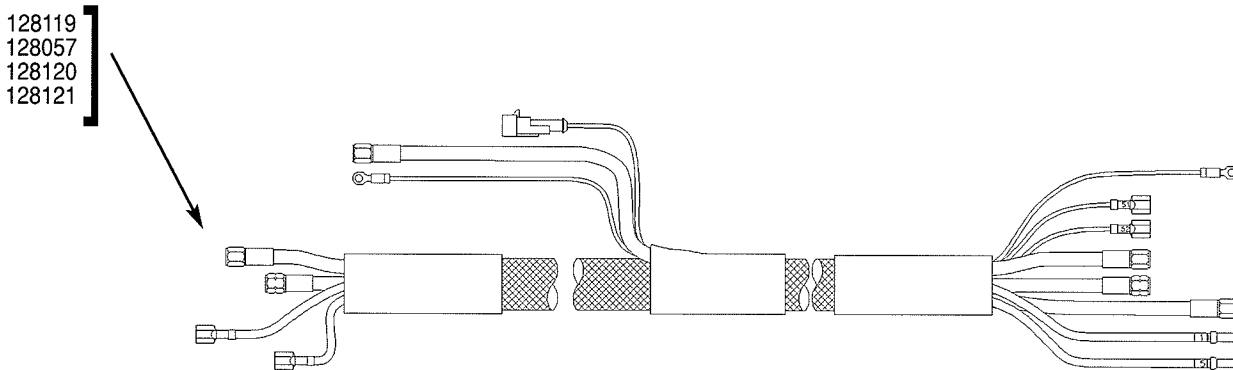


	PART NUMBER	DESCRIPTION	QUANTITY PER PACKAGE
Air and Argon/ Hydrogen (H5) Parts	120453	Cap, Retaining	1
	120450	Nozzle	5
	120447	Electrode	5
	120449	Swirl Ring	1

ArcWriter TORCH ASSEMBLY (128115)



ArcWriter TORCH LEADS



DESCRIPTION	
020448	ArcWriter Torch Main Body
120337	ArcWriter Torch Mounting Sleeve
026017	O-Ring, Silicon 0.676 x 0.070
026024	O-Ring, Silicon 1.114 x 0.070
128119	Lead Set, 25' (15.2 m)
128057	Lead Set, 50' (15.2 m)
128120	Lead Set, 75' (22.8 m)
128121	Lead Set, 100' (30.5 m)
129101	Plasma Gas Valve Subassembly

For more information about the ArcWriter Plasma Marking System or Genuine Hypertherm Replacement Parts, call TOLL-FREE in the U.S.A. and Canada:
1-800-643-0030

**ALWAYS USE
GENUINE
HYPERTHERM
REPLACEMENT PARTS**

For more information about the ArcWriter
Plasma Marking System or
Genuine Hypertherm Replacement Parts,
call TOLL-FREE in the U.S.A. and Canada:
1-800-643-0030

HYPERTHERM and ArcWriter are trademarks of Hypertherm, Inc. and may be registered in the United States and/or other countries.

Hypertherm®

*The world leader in
plasma cutting technology™*

Hypertherm, Inc.
Etna Road, P.O. Box 5010
Hanover, NH 03755 USA
603-643-3441 Tel 603-643-5352 Fax
www.hypertherm.com

Hypertherm Automation
West Lebanon, NH USA
603-298-7970 Tel
603-298-7977 Fax

Hypertherm Plasmatechnik GmbH
Hanau-Wolfgang, Germany
49 6181 58 2100 Tel
49 6181 58 2134 Fax

Hypertherm (S) Pte Ltd
Singapore
65 841 2489 Tel
65 841 2490 Fax
Hypertherm UK Ltd
Runcorn, Cheshire, England
44 1928 579 074 Tel
44 1928 579 604 Fax

France
Eragny, France
33 1 30 37 15 28 Tel
33 1 30 37 15 79 Fax

Hypertherm S.r.L.
Milan, Italy
39 02 725 46 312 Tel
39 02 725 46 400 Fax

Hypertherm B.V.
Dinxperlo, The Netherlands
31 315 655866 Tel
31 315 655886 Fax

Japan
Shinjuku-ku, Tokyo, Japan
81 03 5326 3142 Tel
81 03 5326 3001 Fax