

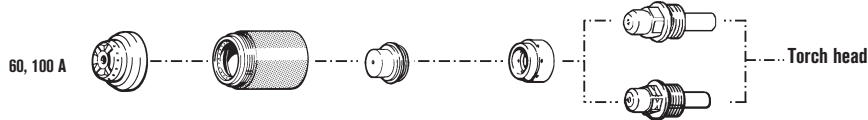
Hypertherm®

MAX100D

PAC160/E hand torch consumables

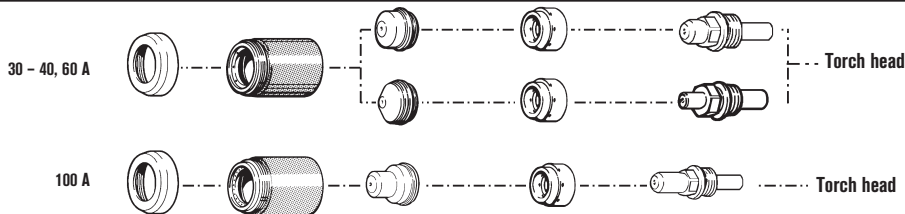


Shielded consumables



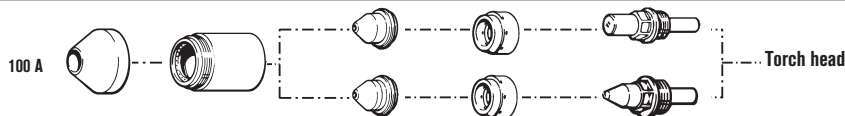
Metal	Plasma gas	Shield gas	Amps	Shield	Retaining cap	Nozzle	Swirl ring	Electrode
Mild steel/ stainless/ aluminum	Nitrogen (N ₂)	Air	60 A	020335	020756	120336	020706	020193
	Nitrogen (N ₂)	Carbon dioxide (CO ₂)	60 A	020335	020756	120336	020706	020193
	Nitrogen (N ₂)	Air	100 A	020335	020846	020705	020706	020193
	Nitrogen (N ₂)	Carbon dioxide (CO ₂)	100 A	020335	020846	020705	020706	020193
Mild steel/ aluminum	Air	Air	60 A	020335	020756	120336	020706	120433
	Air	Air	100 A	020335	020846	020705	020706	120433
Stainless steel/ aluminum	H35	Nitrogen (N ₂)	100 A	020335	020846	020705	020706	020193
Stainless steel	H35-Nitrogen (N ₂)	Nitrogen (N ₂)	100 A	020335	020846	020705	020706	020193
Aluminum	H35	Air	100 A	020335	020846	020705	020706	020193

Unshielded*/Extended consumables



Metal	Plasma gas	Shield gas	Amps	Deflector	Retaining cap	Nozzle	Swirl ring	Electrode
Mild steel/ aluminum	Air	Air	60 A	020333	020756	020922	020706	120433
	Air	Air	100 A	020333	020846	020754	020706	120444
Stainless steel	Air	Air	30 - 40 A	020333	020756	020921	020950	020951
	Nitrogen (N ₂)	Air	60 A	020333	020756	020922	020706	020193
	Nitrogen (N ₂)	Air	100 A	020333	020846	020754	020706	020887

Gouging consumables



Metal	Plasma gas	Shield gas	Amps	Shield	Retaining cap	Nozzle	Swirl ring	Electrode
Mild steel/stainless/ aluminum	H35	Air	100 A	020712	020699	020704	020750	020703
Stainless steel/ aluminum	H35	Nitrogen (N ₂)	100 A	020712	020699	020704	020750	020703
Mild steel	Air	Air	100 A	020712	020699	020745	020750	020744



PAC160 hand torch



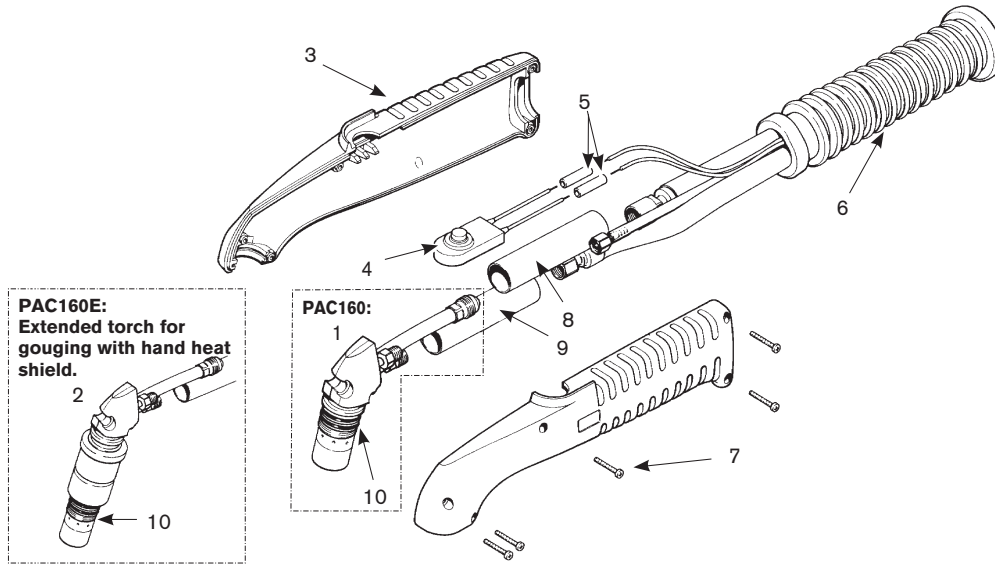
PAC160E gouging torch

TECHNOLOGIES
Vented shield

* In countries following CE standards, unshielded consumables may only be used in mechanized torch applications.

MAX100D

PAC160/E hand and gouging torch assemblies



Assembly

Part number	Description
020711	Hand heat shield (shown at left) – for PAC160E gouging torch only
1. 020761	PAC160 torch main body
2. 020693	PAC160E torch main body
3. 001214	Handle, MAX100D, hand torch (both halves included)
4. 005094	Switch, pushbutton, torch
5. 074069	Splice, butt, insulated (two required)
6. 001217	Boot, MAX100D torch
7. 075365	Screw, #6 x 3/4" (five required)
8. 020468	Negative lead insulator, 1 1/16 x 31/2"
9. 020536	Pilot arc lead insulator, 9/16 x 21/2"
10. 058019	O-ring: Viton .801 x .071 (two required)
059124*	PAC160 hand torch assembly with 25' (7.6 m) leads
059125*	PAC160 hand torch assembly with 50' (15.2 m) leads
059126*	PAC160 hand torch assembly with 75' (22.9 m) leads
059112*	PAC160E hand torch assembly with 25' (7.6 m) leads
059113*	PAC160E hand torch assembly with 50' (15.2 m) leads
059114*	PAC160E hand torch assembly with 75' (22.9 m) leads
029730	MAX100D hand torch with 25' (7.6 m) leads
029731	MAX100D hand torch with 50' (15.2 m) leads
029732	MAX100D hand torch with 75' (22.9 m) leads
028558	MAX100D quick disconnect assembly
023209	Work lead with clamp, 25' (7.6 m)

*Assembly includes consumables

