

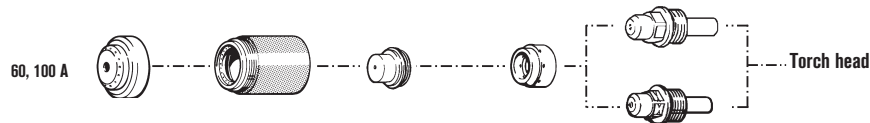
Hypertherm®

MAX100D

MAX100D machine torch consumables

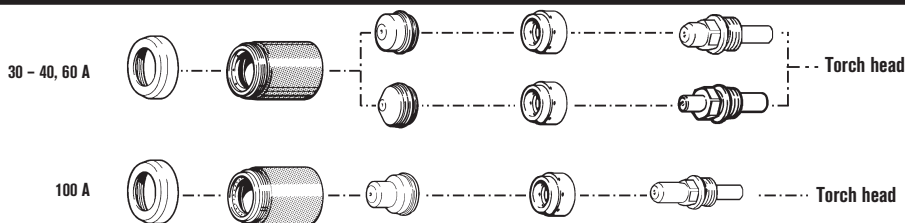


Shielded consumables



Metal	Plasma gas	Shield gas	Amps	Shield	Retaining cap	Nozzle	Swirl ring	Electrode
Mild steel/ stainless/ aluminum	Nitrogen (N ₂)	Air	60 A	020334	020756	120336	020706	020193
	Nitrogen (N ₂)	Carbon dioxide (CO ₂)	60 A	020334	020756	120336	020706	020193
	Nitrogen (N ₂)	Air	100 A	020334	020846	020705	020706	020193
	Nitrogen (N ₂)	Carbon dioxide (CO ₂)	100 A	020334	020846	020705	020706	020193
Mild steel/ aluminum	Air	Air	60 A	020334	020756	120336	020706	120433
	Air	Air	100 A	020334	020846	020705	020706	120433
Stainless steel/ aluminum	H35	Nitrogen (N ₂)	100 A	020334	020846	020705	020706	020193
Stainless steel	H35-Nitrogen (N ₂)	Nitrogen (N ₂)	100 A	020334	020846	020705	020706	020193
Aluminum	H35	Air	100 A	020334	020846	020705	020706	020193

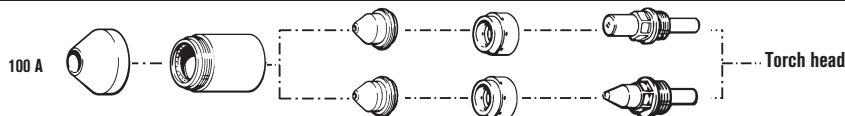
Unshielded/Extended consumables



Metal	Plasma gas	Shield gas	Amps	Deflector	Retaining cap	Nozzle	Swirl ring	Electrode
Mild steel/ aluminum	Air	Air	60 A	020333	020756	020922	020706	120433
	Air	Air	100 A	020333	020846	020754	020706	120444
Stainless steel	Air	Air	30 - 40 A	020333	020756	020921	020950	020951
	Nitrogen (N ₂)	Air	60 A	020333	020756	020922	020706	020193
	Nitrogen (N ₂)	Air	100 A	020333	020846	020754	020706	020887



Gouging consumables

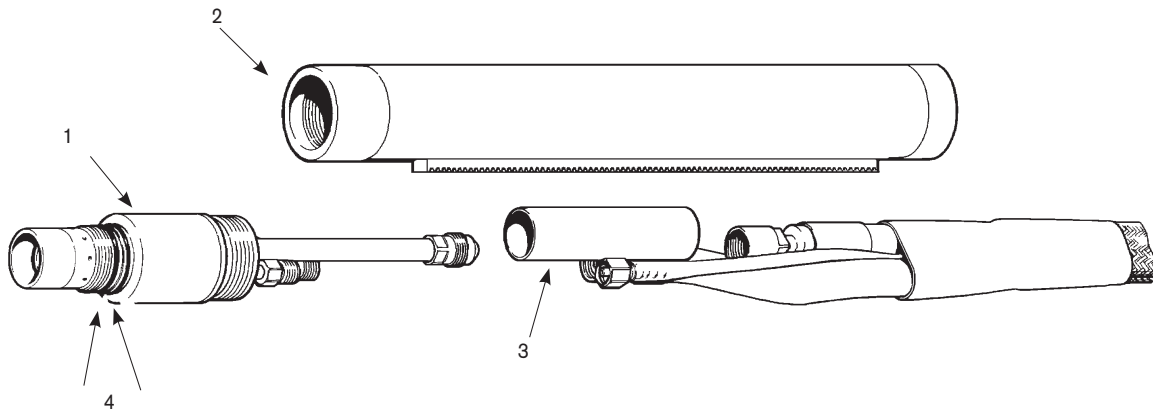


Metal	Plasma gas	Shield gas	Amps	Shield	Retaining cap	Nozzle	Swirl ring	Electrode
Mild steel/stainless/ aluminum	H35	Air	100 A	020712	020699	020704	020750	020703
Stainless steel/ aluminum	H35	Nitrogen (N ₂)	100 A	020712	020699	020704	020750	020703
Mild steel	Air	Air	100 A	020712	020699	020745	020750	020744

TECHNOLOGIES
Vented shield

MAX100D

MAX100D machine torch assembly



Assembly

Part number	Description
028596*	MAX100D machine torch assembly
1. 020713	MAX100D machine torch main body
2. 020243	MAX100D torch positioning sleeve
3. 020468	Negative lead insulator, 1 1/16 x 3 1/2"
4. 058019	O-ring: Viton .801 x .071 (two required)
059115*	MAX100D machine torch assembly with 25' (7.6 m) leads
059116*	MAX100D machine torch assembly with 50' (15.2 m) leads
059117*	MAX100D machine torch assembly with 75' (22.9 m) leads
028555	MAX100D machine torch leads, 25' (7.6 m)
028556	MAX100D machine torch leads, 50' (15.2 m)
028557	MAX100D machine torch leads, 75' (22.9 m)
028910	MAX100D quick disconnect assembly
002190	Boot, 80/100 amp quick disconnect
023209	Work lead with clamp, 25' (7.6 m)

*Assembly includes consumables

