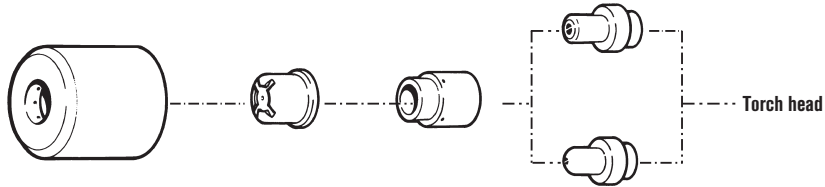


# Hypertherm®

## MAX40/HT40

### PAC140 hand torch consumables

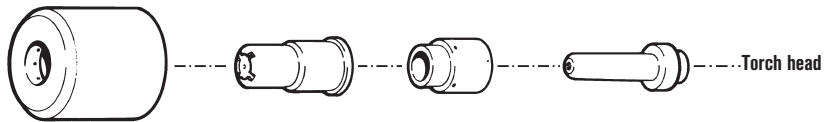
#### Standard consumables



	Retaining cap	Nozzle	Swirl ring	Electrode
Air	020104	020115	020101	020103
Nitrogen (N <sub>2</sub> )	020104	020115	020101	020167



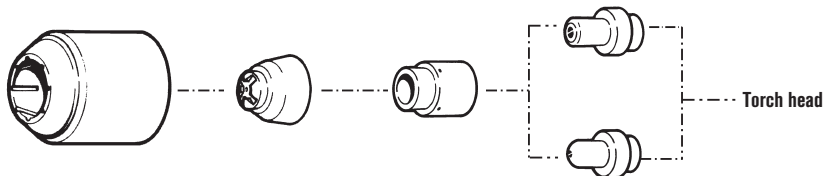
#### Extended consumables



	Retaining cap	Nozzle	Swirl ring	Electrode
Air	020104	020466	020101	020467

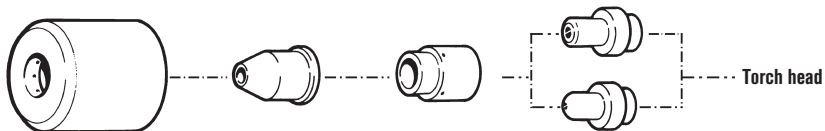


#### Tapered consumables



	Retaining cap	Nozzle	Swirl ring	Electrode
Air	020200	020197	020101	020103
Nitrogen (N <sub>2</sub> )	020200	020197	020101	020167

#### Gouging consumables

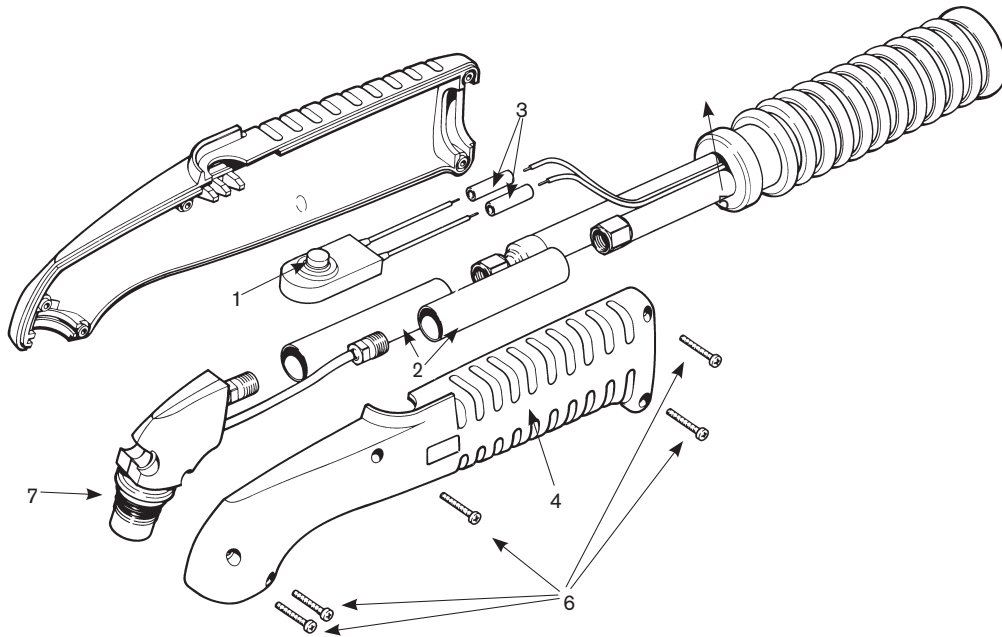


	Retaining cap	Nozzle	Swirl ring	Electrode
Air	020104	020340	020101	020103
Nitrogen (N <sub>2</sub> )	020104	020340	020101	020167

Hypertherm, MAX, HT and PAC are trademarks of Hypertherm, Inc. and may be registered in the United States and/or other countries.

# MAX40/HT40

## PAC140 hand torch assembly



### Assembly

Part number	Description
057112*	Torch assembly with 25' (7.6 m) leads
057113*	Torch assembly with 50' (15.2 m) leads
1. 005094	Switch, torch pushbutton
2. 020536	Lead insulator (two required)
020479	Torch main body
3. 074069	Splice, butt, insulated (two required)
4. 001214	Handle (includes both halves)
5. 001260	Boot
6. 075365	Screw #6 x 3/4" (five required)
7. 044016	O-ring, Buna – N 90 Duro
029129	Torch leads, 25' (7.6 m)
029130	Torch leads, 50' (15.2 m)
023205	Work lead with clamp, 15' (4.6 m)

\*Assembly includes consumables



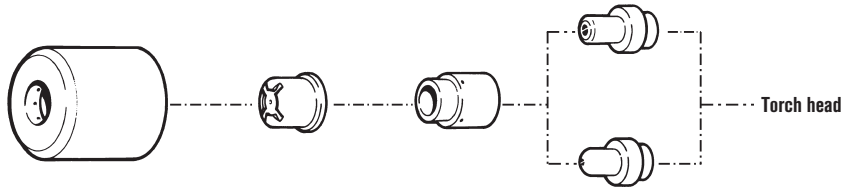
# Hypertherm®

## MAX40/HT40

### MAX40/HT40 machine torch consumables

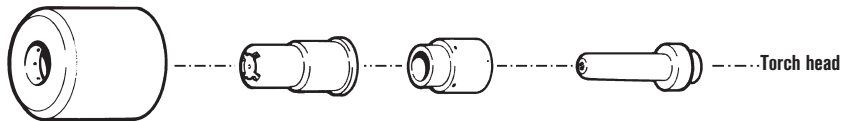


#### Standard consumables



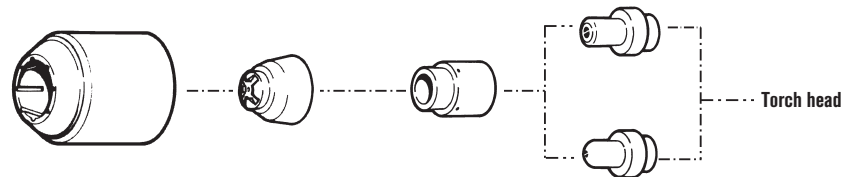
	Retaining cap	Nozzle	Swirl ring	Electrode
Air	020104	020115	020101	020103
Nitrogen (N <sub>2</sub> )	020104	020115	020101	020167

#### Extended consumables



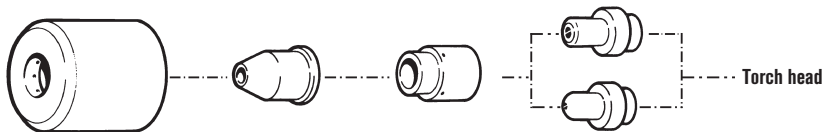
	Retaining cap	Nozzle	Swirl ring	Electrode
Air	020104	020466	020101	220467

#### Tapered consumables



	Retaining cap	Nozzle	Swirl ring	Electrode
Air	020200	020197	020101	020103
Nitrogen (N <sub>2</sub> )	020200	020197	020101	020167

#### Gouging consumables

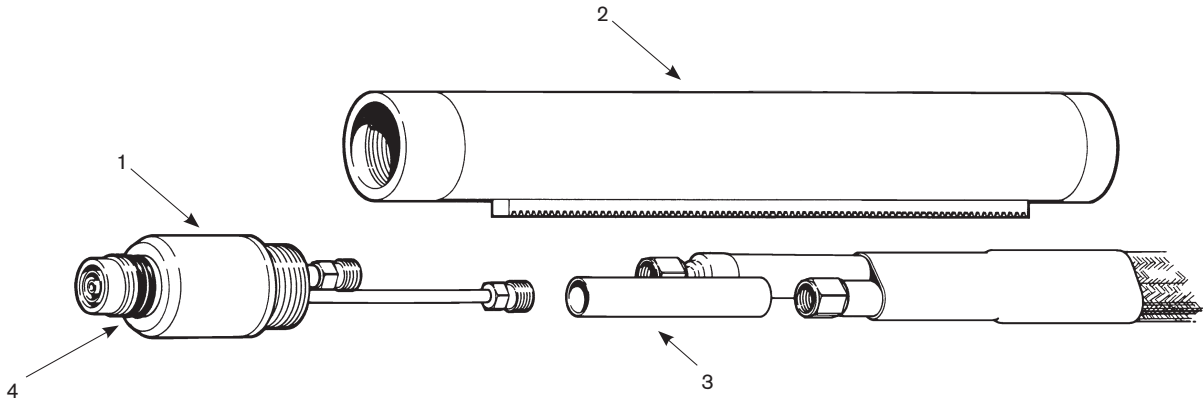


	Retaining cap	Nozzle	Swirl ring	Electrode
Air	020104	020340	020101	020103
Nitrogen (N <sub>2</sub> )	020104	020340	020101	020167

Hypertherm, MAX and HT are trademarks of Hypertherm, Inc. and may be registered in the United States and/or other countries.

# MAX40/HT40

## MAX40/HT40 machine torch assembly



### Assembly

	Part number	Description
	028287*	Torch assembly
1.	020114	Torch main body
2.	020231	Torch position sleeve, 10-3/4" (273.05 mm) (included in 028287)
2.	020269	Torch position sleeve, 18" (457.2 mm)
3.	004302	Lead insulator
4.	044016	O-ring, Buna – N 90 Duro
	028288	Torch leads, 25' (7.6 m)
	028289	Torch leads, 35' (10.7 m)
	028290	Torch leads, 50' (15.2 m)
	023205	Work lead with clamp, 15' (4.6 m)

\*Assembly includes consumables