

Hypertherm®

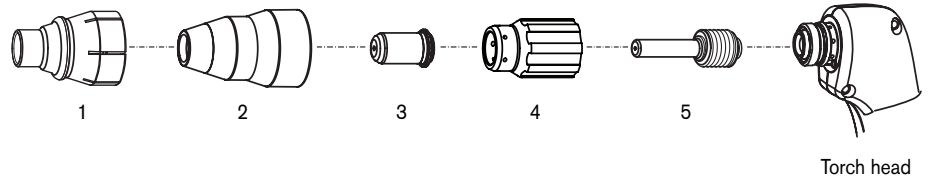
powermax®

Hand torch parts

T30v consumables



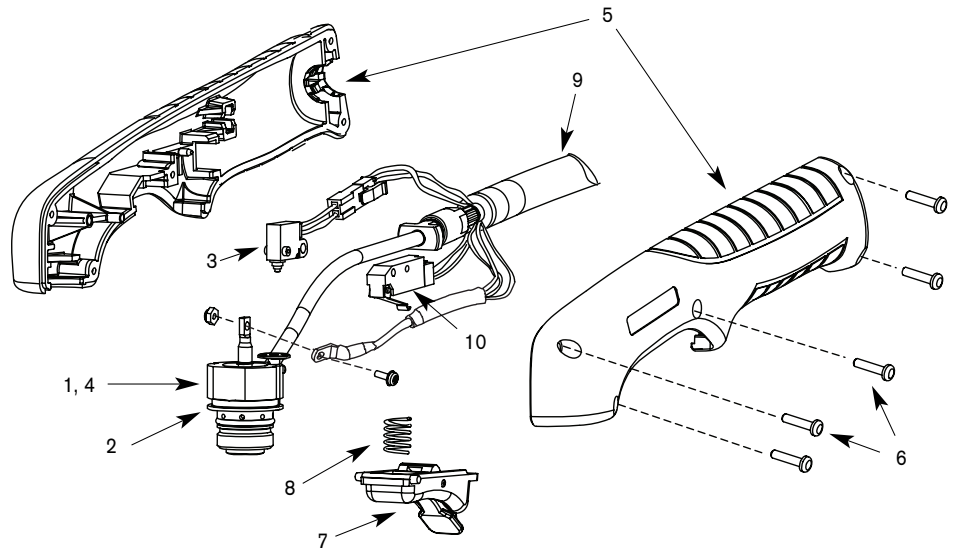
Powermax30



T30v torch

ITEM NUMBER	PART NUMBER	DESCRIPTION	QUANTITY PER PACKAGE
1	220569	Deflector (optional)	1
2	220483	Retaining cap	1
3	220480	Nozzle	5
4	220479	Swirl Ring	1
5	220478	Electrode	5

Powermax30 T30v safety trigger torch assembly



T30v torch

ITEM NUMBER	PART NUMBER	DESCRIPTION
1	228112	Kit: T30v main body replacement
2	058503	O-ring: Viton .626 x .070
3	228109	Kit: Cap-off sensor replacement
4	228110	Kit: T30v torch head repair
5	228111	Kit: T30v torch handle replacement
6	075339	Handle screws
7	002244	Safety trigger
8	027254	Spring
9	228113	Kit: T30v 15 ft (4.6 m) torch lead replacement
10	128642	Kit: T30v start switch replacement

^Assembly includes consumables