



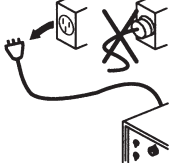
HPR800XD

Snubber Board Replacement

Field Service Bulletin

807340 – Revision 0 – June, 2011

Hypertherm®

		WARNING ELECTRIC SHOCK CAN KILL
	Disconnect electrical power before performing any maintenance. All work requiring removal of the power supply cover must be performed by a qualified technician. See the <i>Safety Section</i> of the system's Manual for more safety precautions.	

Introduction

Purpose

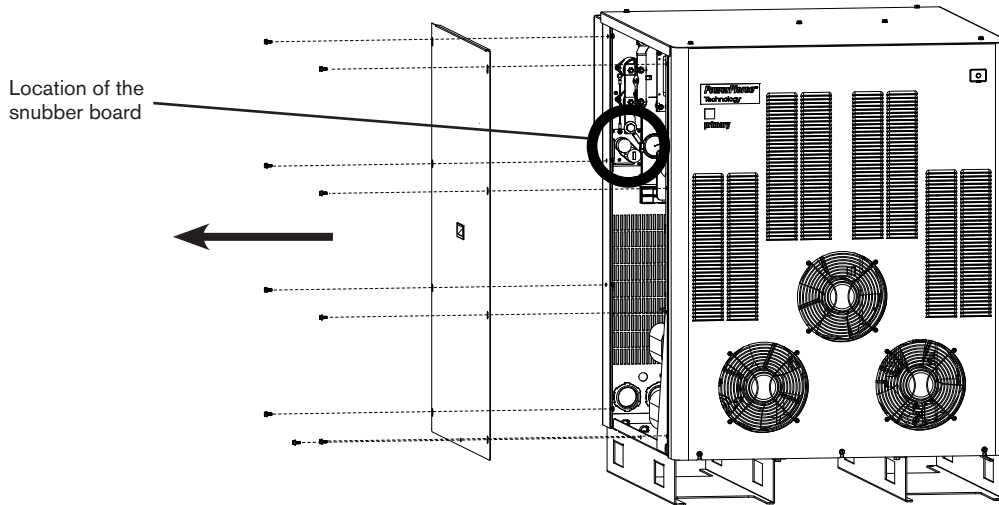
This field service bulletin provides the instructions necessary to replace the snubber board in an HPR800XD power supply.

Kit 228841 contents

Part number	Description	Quantity
229340	Snubber sub-assembly: HPR800XD	1

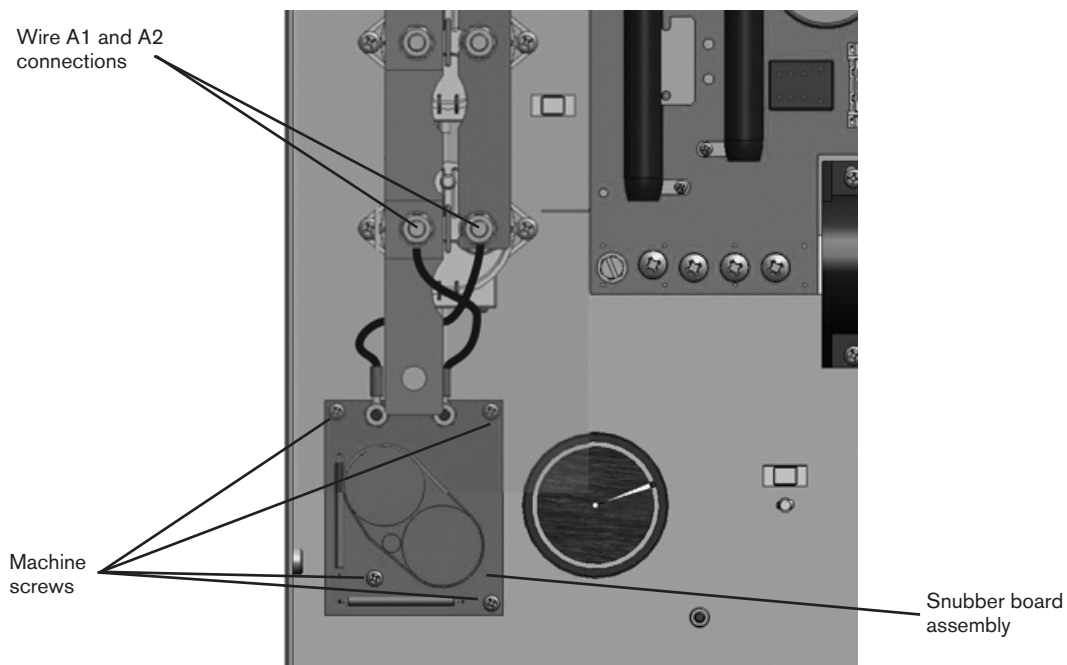
Remove the old snubber board

1. Remove the left side panel on the HPR800XD power supply.



Left side panel removed and installation location shown

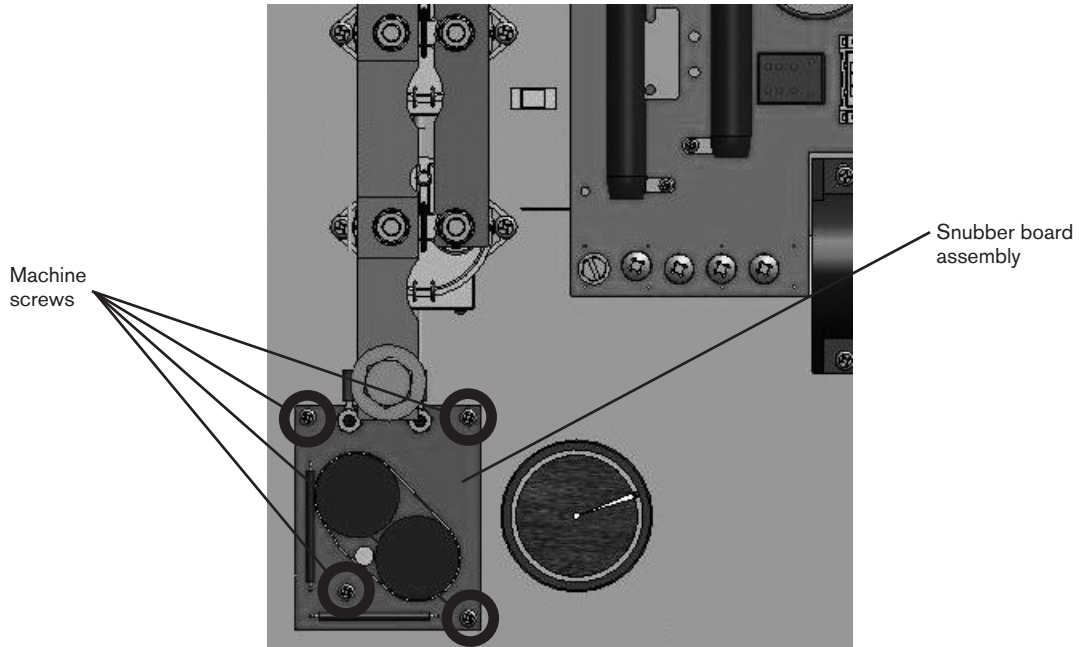
2. Remove the two nuts and washers that secure wires A1 and A2 to the bus bars, and then remove the four screws that secure the old snubber board to the back panel of the power supply. Keep the nuts, washers, and screws for use when installing the new snubber board. Discard the old snubber board.



Snubber board assembly installation

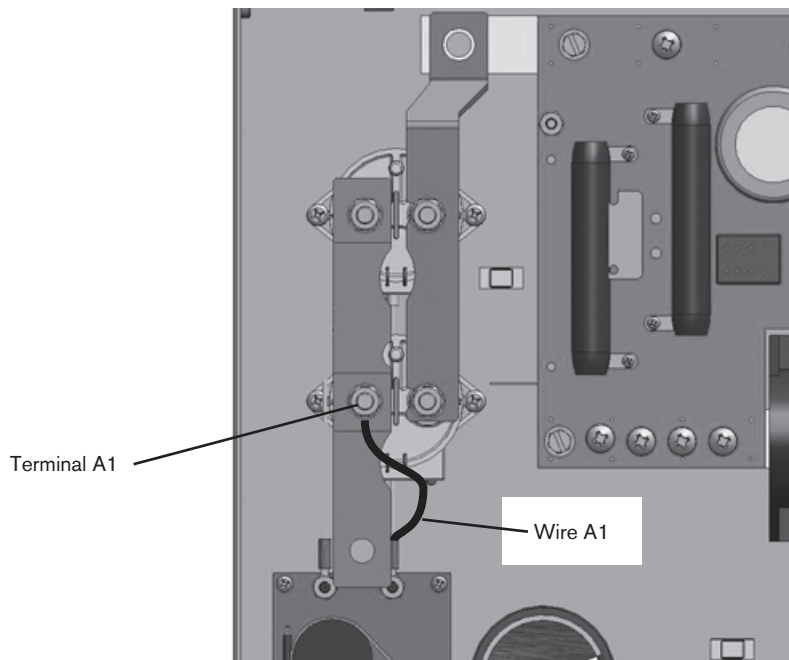
Install the new snubber board

1. Orient the snubber board assembly as shown below and install it using the 4 machine screws that were removed earlier.



Location of the mounting screws

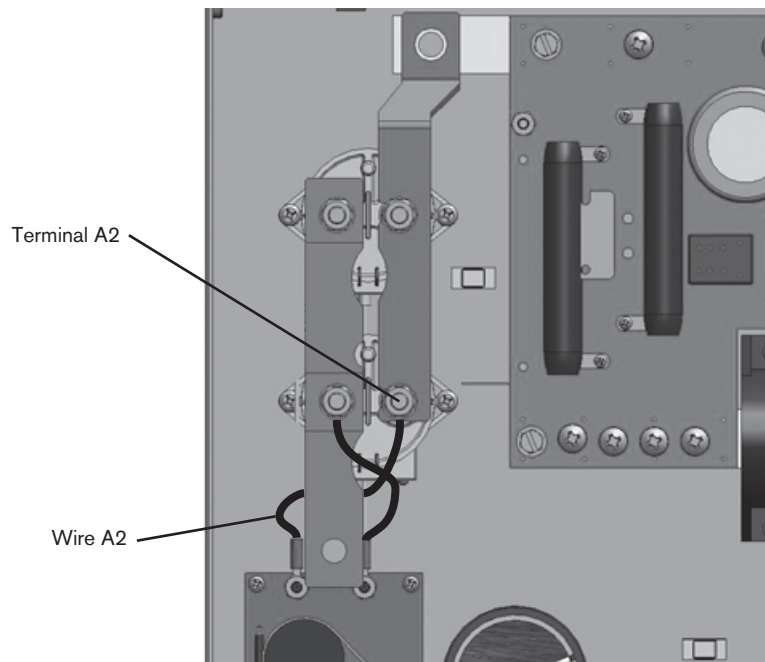
2. Use the nut and washer that were removed earlier to secure wire A1 to terminal A1 on the bus bar.



Wire A1 installation

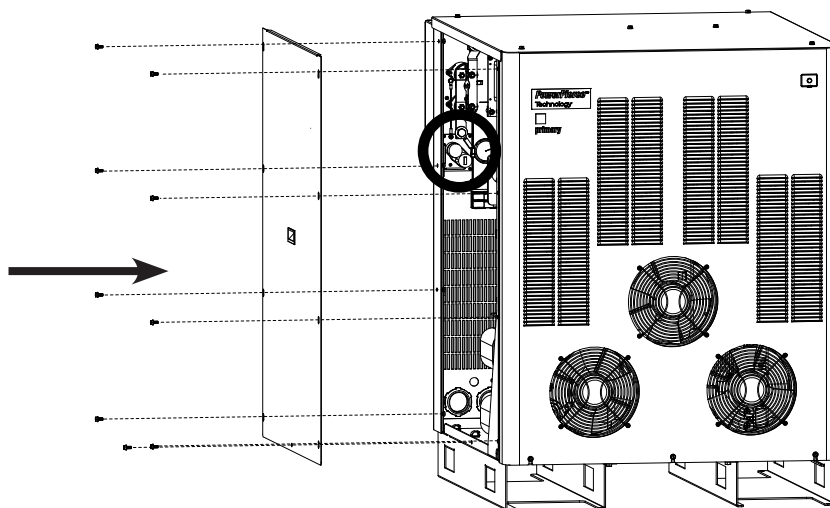
HPR800XD SNUBBER BOARD REPLACEMENT

3. Use the nut and washer that were removed earlier to secure wire A2 to terminal A2 on the bus bar.



Wire A2 installation

3. Put the left side cover back on the power supply.



© 2011 Hypertherm, Inc.
All Rights Reserved

Hypertherm HPR800XD is a trademark of Hypertherm, Inc. and may be registered in the United States and/or other countries.

Hypertherm[®]

Hypertherm, Inc.
Hanover, NH 03755 USA
603-643-3441 Tel

Hypertherm Europe B.V.
4704 SE Roosendaal, Nederland
31 165 596907 Tel

**Hypertherm (Shanghai)
Trading Co., Ltd.**
PR China 200052
86-21 5258 3330 /1 Tel

Hypertherm (S) Pte Ltd.
Singapore 349567
65 6 841 2489 Tel

**Hypertherm (India) Thermal
Cutting Pvt. Ltd.**
Chennai, Tamil Nadu
91 0 44 2834 5361 Tel

Hypertherm Brasil Ltda.
Guarulhos, SP - Brasil
55 11 2409 2636 Tel

Hypertherm México, S.A. de C.V.
México, D.F.
52 55 5681 8109 Tel

Hypertherm Korea Branch
Korea, 612-889
82 51 747 0358 Tel

www.hypertherm.com