



CO₂ laser consumables

for Trumpf® L20 series

Compatible with:

TruLaser® 3030/3040/3060

TruLaser 3030 Fiber

TruLaser 5030/5040/5060

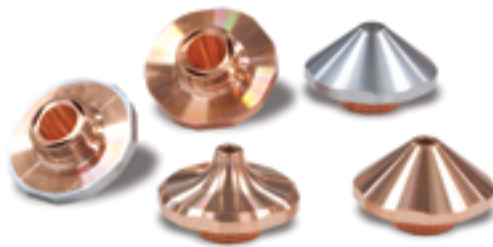
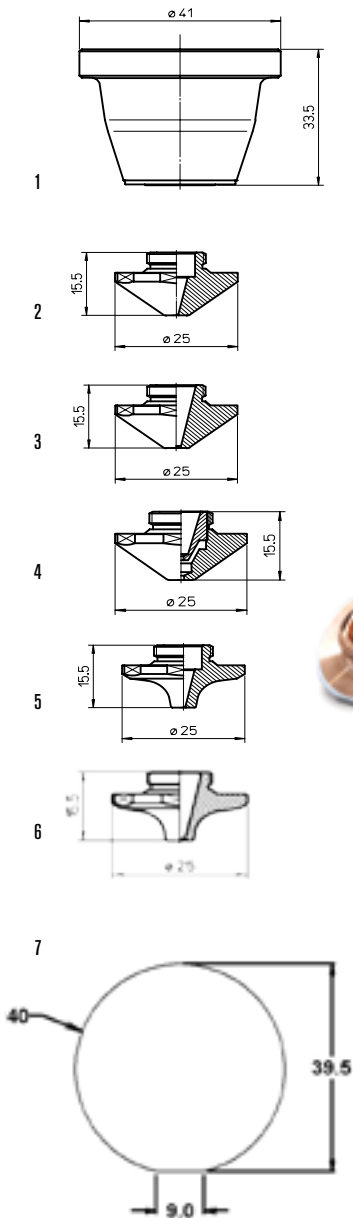
TruLaser 5030/5040 Fiber



Lower your cost of cutting with Centricut laser consumables

- Complete line of copper, chrome-plated, fine-featured and double nozzles
- Ceramic nozzle holders
- OEM approved optics
- 100% satisfaction guaranteed

Centricut CO₂ laser consumables for Trumpf L20 series



Consumables

	Centricut part number	Reference number	Description	
1	TR301-9171	1349171	Nozzle holder - Ceramic	
2	TR407-4858	1324858	Nozzle 0.8 mm	
	TR407-4858CPH	1324858	Nozzle 0.8 mm hard CP	
	TR407-4860	1324860	Nozzle 1.0 mm	
	TR407-4860CPH	1324860	Nozzle 1.0 mm hard CP	
	TR407-4861	1324861	Nozzle 1.2 mm	
	TR407-4861CPH	1324861	Nozzle 1.2 mm hard CP	
	TR407-4863	1324863	Nozzle 1.4 mm	
	TR407-4863CPH	1324863	Nozzle 1.4 mm hard CP	
	TR407-4864	1324864	Nozzle 1.7 mm	
3	TR407-4864CPH	1324864	Nozzle 1.7 mm hard CP	
	TR407-4865	1324865	Nozzle 2.0 mm	
	TR407-4865CPH	1324865	Nozzle 2.0 mm hard CP	
	TR407-4866	1324866	Nozzle 2.3 mm	
	TR407-4866CPH	1324866	Nozzle 2.3 mm hard CP	
	TR407-4867	1324867	Nozzle 2.7 mm	
	TR407-4867CPH	1324867	Nozzle 2.7 mm hard CP	
	4	TR426-1308	Centricut design	Nozzle 0.8 mm double
		TR426-1308CPH	Centricut design	Nozzle 0.8 mm double hard CP
TR426-1309		Centricut design	Nozzle 1.0 mm double	
TR426-1309CPH		Centricut design	Nozzle 1.0 mm double hard CP	
TR426-1310		Centricut design	Nozzle 1.2 mm double	
TR426-1310CPH		Centricut design	Nozzle 1.2 mm double hard CP	
TR426-1311		Centricut design	Nozzle 1.4 mm double	
TR426-1311CPH		Centricut design	Nozzle 1.4 mm double hard CP	
TR426-1312		Centricut design	Nozzle 1.7 mm double	
TR426-1312CPH		Centricut design	Nozzle 1.7 mm double hard CP	
TR426-1313		Centricut design	Nozzle 2.0 mm double	
TR426-1313CPH		Centricut design	Nozzle 2.0 mm double hard CP	
TR426-1314		Centricut design	Nozzle 2.3 mm double	
TR426-1314CPH		Centricut design	Nozzle 2.3 mm double hard CP	
TR426-1315		Centricut design	Nozzle 2.7 mm double	
5	TR426-1315CPH	Centricut design	Nozzle 2.7 mm double hard CP	
	TR426-3325	1373325	Nozzle 1.0 mm	
	TR426-3326	1373326	Nozzle 1.2 mm	
	TR426-3327	1373327	Nozzle 1.4 mm	
	TR426-3328	1373328	Nozzle 1.7 mm	
6	TR426-3324	1373324	Nozzle 0.8 mm	
	TR426-3329	1373329	Nozzle 2.0 mm	
	TR426-3330	1373330	Nozzle 2.3 mm	
	TR426-3331	1373331	Nozzle 2.7 mm	
7	TR300-0130	400130LMA	Lens Men 1.575" dia 5.118" F.L. .295" ET Cut	
	TR300-0250	400250LMA	Lens Men 1.575" dia 9.842" F.L. .295" ET Cut	

Nozzles also available in value-priced 10 packs

Visit us at www.hypertherm.com/centricut/laser

Hypertherm and Centricut are trademarks of Hypertherm Inc. and may be registered in the United States and/or other countries. All other trademarks are the properties of their respective owners. Centricut is in no way affiliated with Trumpf.

One of Hypertherm's long-standing core values is a focus on minimizing our impact on the environment. Doing so is critical to our, and our customers' success. We are always striving to become better environmental stewards; it is a process we care deeply about.

© 9/2016 Hypertherm Inc. Revision 1
881450



Hypertherm[®]
SHAPING POSSIBILITY™

