
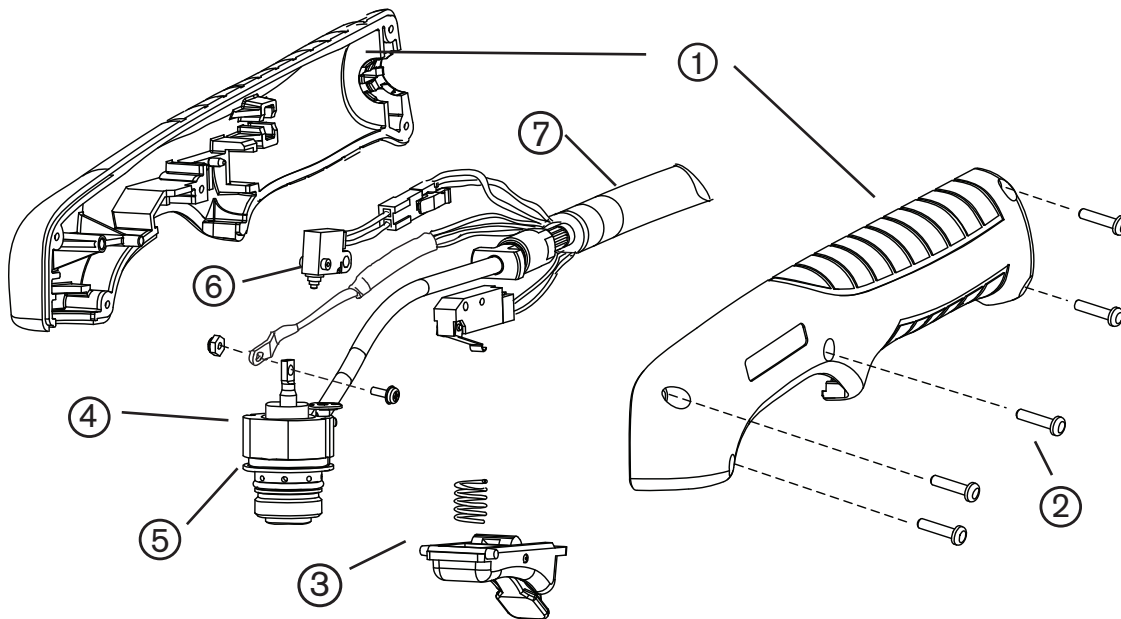


**T30v hand torch assembly**

Item	Part number	Description	Quantity
	088001*	T30v Hand Torch Assembly with 15 ft / 4.5 m Lead	
1	228111	Kit: Handle	1
2	075714	Screws, #4 x 1/2 SLTD Torx PAN, S/B	5
3	002244	Safety trigger and spring replacement	1
4	228112	Kit: torch head replacement 	1
5	058503	O-ring: Viton .626 x .070 	1
6	228109	Kit: cap sensor replacement	1
7	228113	Kit: torch lead replacement, 15 ft / 4.5 m	1

\* The torch assembly also includes one set of the consumables listed below.



**Consumables**

Part number	Description	Quantity
220478	Electrode	1
220479	Swirl ring	1
220483	Retaining Cap	1
220480	Nozzle	1
220569	Deflector (optional)	1