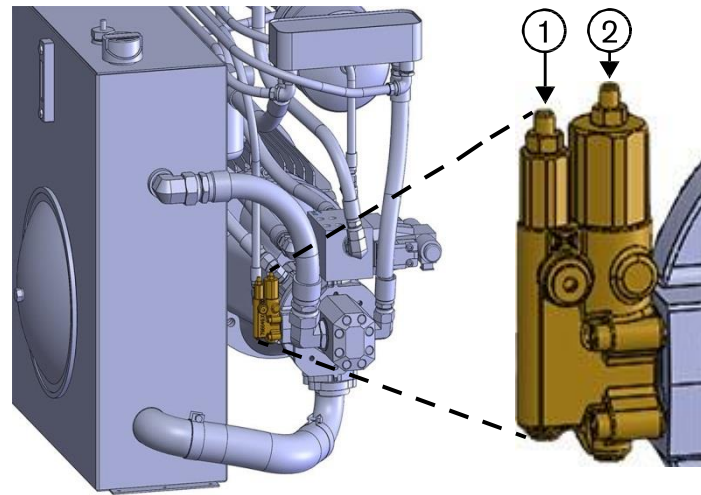


## Pressure compensator



1 Differential pressure valve

2 Compensating valve

This image appears on pages 34 and 54 in the 808240 HyPrecision 15/30/50 operator manual. The labels are incorrect in the manual. This image shows the correct labels.