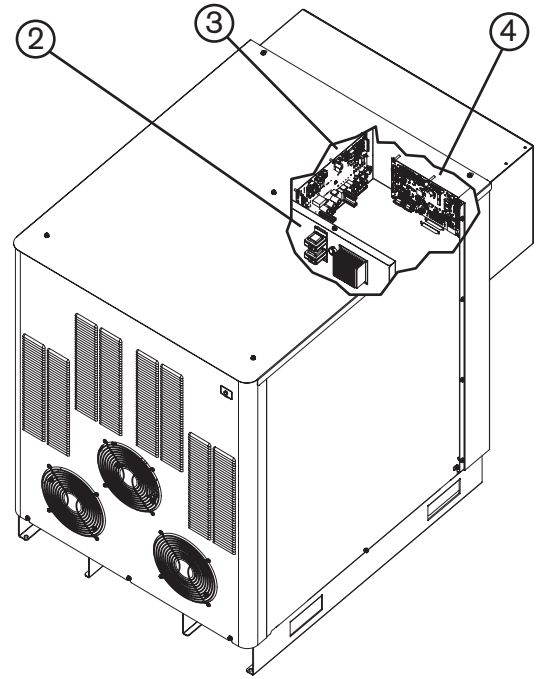
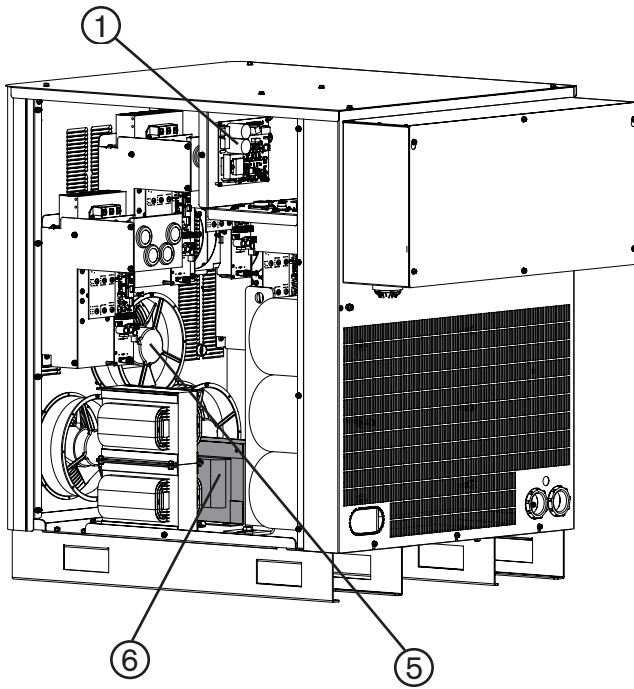


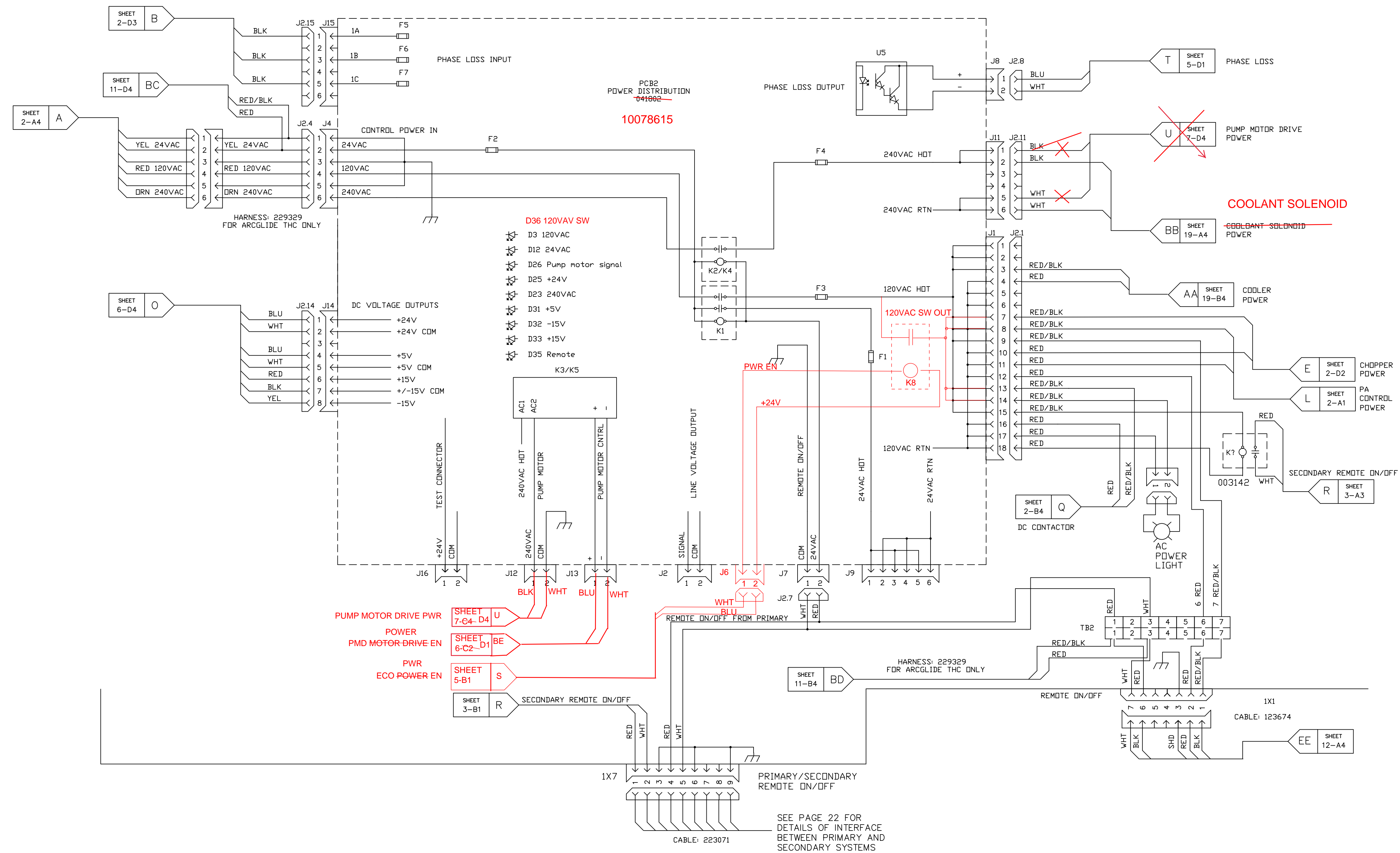
Power supply



Item	Part Number	Description	Designator	Qty.
1	141027	PCB: Pump motor drive	PCB7	1
2	229212	Inductor: 5 amp, 1.4 mH		2
3	041802	ORIGINAL PCB: Power distribution	PCB2	1
		A power supply with serial number HPR800P-000297 or HPR800S-000295 or earlier has this PCB		
	108028	Fuse: 3 amp, 250 volt	F5, F6, F7	3
	108075	Fuse: 6.3 amp, 250 volt (slow-blow)	F1, F2, F3	3
	108709	Fuse: 10 amp, 250 volt	F4	1
	229339	Wire harness		1
3	10078615	MOST RECENT PCB: Power distribution	PCB2	1
		A power supply with serial number HPR800P-010001 or HPR800S-010001 or later has this PCB		
	108028	Fuse: 3 amp, 250 volt	F5, F6, F7	3
	108075	Fuse: 6.3 amp, 250 volt (slow-blow)	F1, F2, F3	3
	108709	Fuse: 10 amp, 250 volt	F4	1
	10081508	Wire harness – Necessary with the 10078615 power distribution PCB*		1
4	141030	PCB: Control	PCB3	1
5	027079	10" fan: 450-550 CFM, 120 VAC 50-60 HZ		3
6	229225	Control transformer: 400 volt, 50-60 HZ	T2	1
	229226	Control transformer: 380 volt, 50-60 HZ		1
	229227	Control transformer: 480 volt, 60 HZ		1
	229228	Control transformer: 600 volt, 60 HZ		1
	229230	Control transformer: 240 volt, 60 HZ		1
	229231	Control transformer: 200 and 208 volt, 50-60 HZ		1
	229232	Control transformer: 440 volt, 50-60 HZ		1
	229233	Control transformer: 220 volt, 50-60 HZ		1

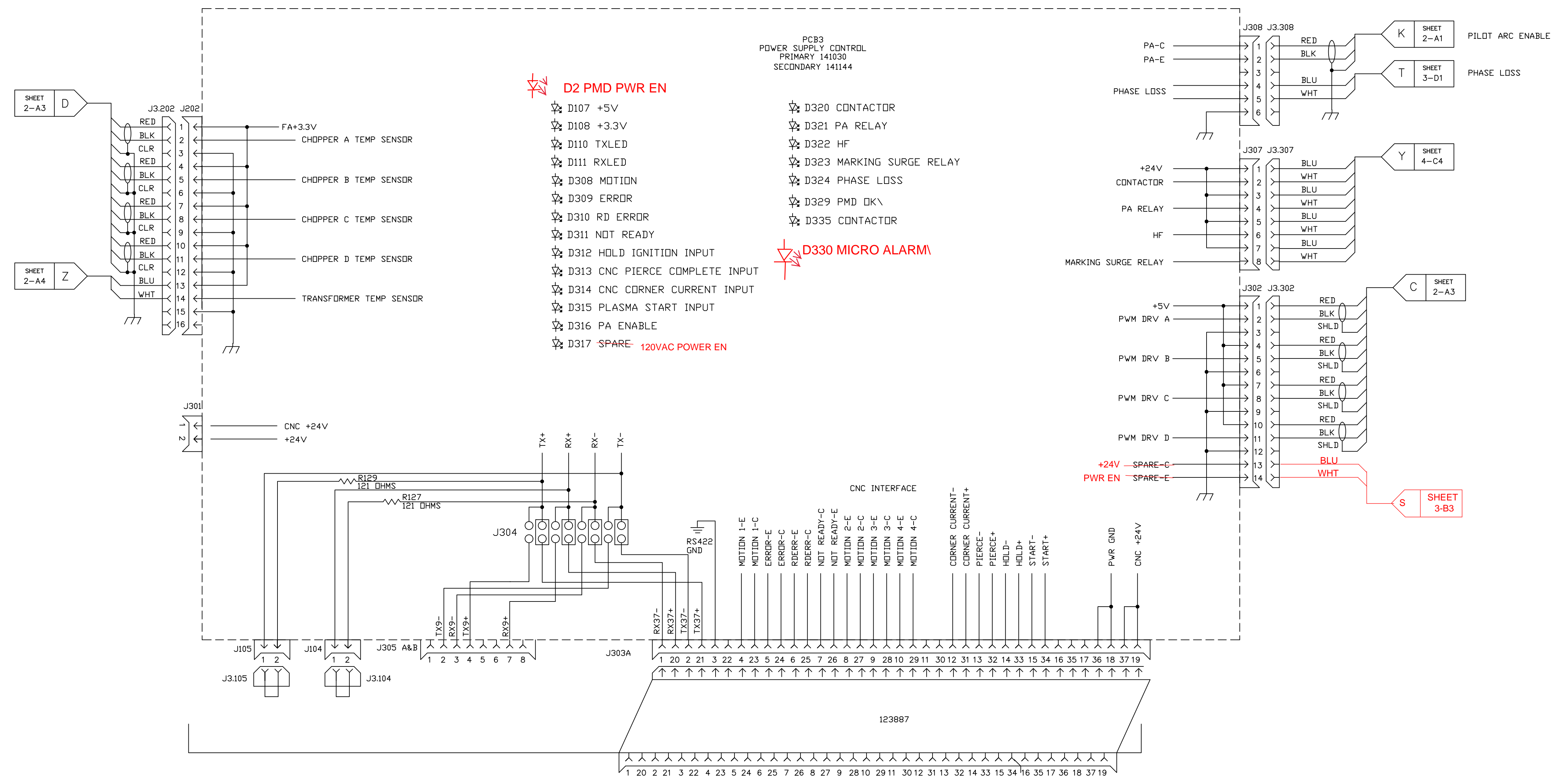
* You need the 10081508 wire harness to make connections between the 10078615 power distribution PCB and the 141030 control PCB. The 229339 wire harness is not compatible with the 10078615 power distribution PCB.

PRELIMINARY



CHANGE THE HORIZONTAL SCALE FROM 8-GRID SHOWN HERE TO 4-GRID. Because the scaling for the wiring diagrams was changed, some callouts are no longer accurate. Refer to the Rev M wiring diagrams that incorporate these redlines and have the 4-grid scaling with callouts that align.

PRELIMINARY



PRELIMINARY

